

Single-Acting Cylinder MS series (return-by-spring type)

Hydraulic Cylinders

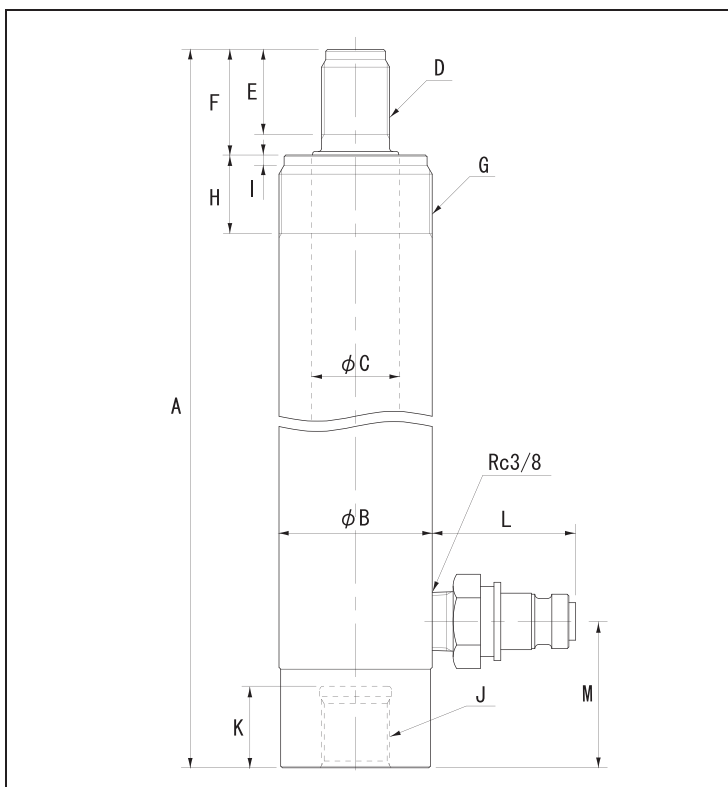
Description of the type

MS 1 - 50

Maximum output 1 : 100 kN
 Attached coupler No mark : ROC-13R
 S : S-1R
 N C : W/O coupler

MS series Stroke (mm)

●The piston and the inner side of the cylinder tube are coated.



■ Specification

		100kN							
Type		MS1-50	MS1-75	MS1-100	MS1-125	MS1-150	MS1-200	MS1-250	MS1-300
Maximum operating pressure	MPa	70							
Maximum output	kN	100							
Pressure area	cm ²	14.52							
Stroke	mm	50	75	100	125	150	200	250	300
Minimum overall length	A	188	240	265	290	315	365	415	465
Inner diameter of the cylinder	φ	43.0							
Outside diameter of the cylinder	φ B	58							
Piston diameter	φ C	38							
Piston screw diameter	D	M28 × 2							
Piston screw length	E	32							
Piston ejection length	F	38							
Collar screw diameter	G	M58 × 2							
Collar screw length	H	25							
None thread length	I	6							
Base screw diameter	J	-	M28 × 2						
Base screw depth	K	-	31						
Coupler ejection length	L	≒ 42							
Coupler position	M	20	47						
Coupler connection diameter	-	Rc3/8							
Attached coupler	-	ROC-13R							
Necessary oil level	cm ³	73	109	146	182	218	291	363	436
Approximate weight	kg	2.8	3.7	4.1	4.5	4.9	5.8	6.6	7.5

■ Available attachments

		MS1-50	MS1-75	MS1-100	MS1-125	MS1-150	MS1-200	MS1-250	MS1-300
Piston	Cap	R-10PM							
	Tilt saddle	R-10SP							
	Piston base	RB-10M							
	Clevis	CLF-10-1 (2)							
Flange	10FM								
Base	Cylinder base	-	CB-10M						
	Clevis	-	CLM-10-1 (2)						