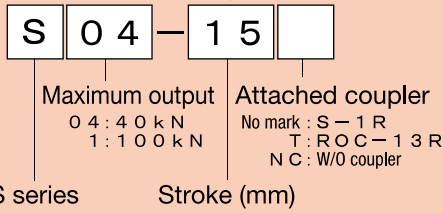


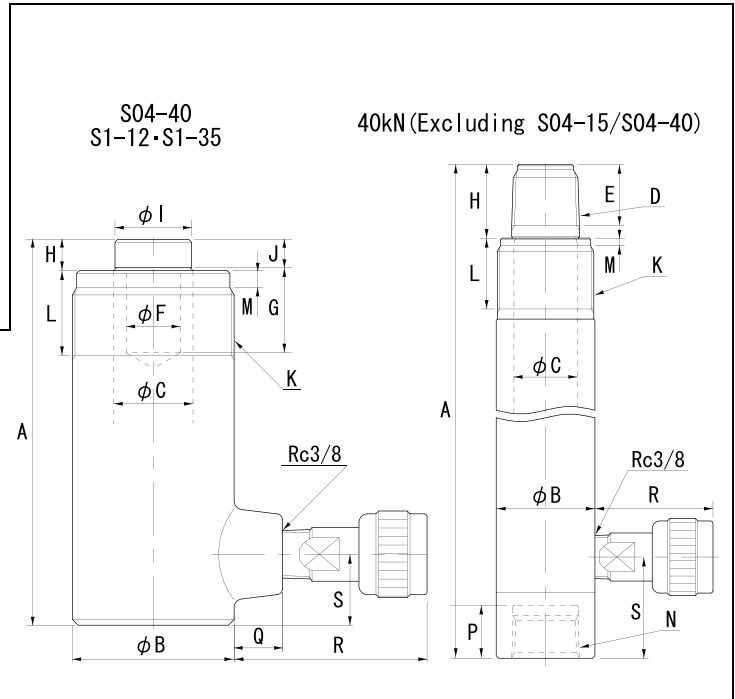
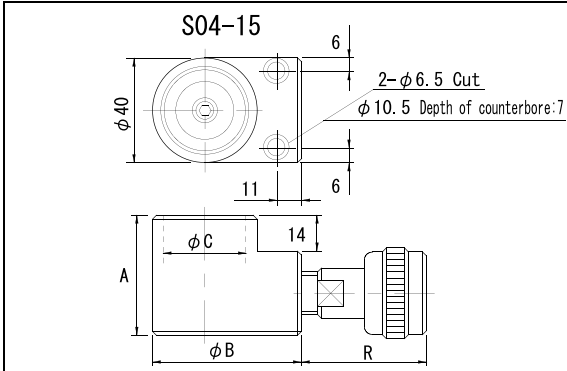
# Imperial Thread Single-Acting Cylinder S series (return-by-spring type)

Hydraulic Cylinders

## Description of the type



●The piston and the inner side of the cylinder tube are coated.



## ■ Specification

		40kN						100kN	
Type		S04-15	S04-40	S04-50	S04-70	S04-127	S04-150	S1-12	S1-35
Maximum operating pressure	MPa	70						70	
Maximum output	kN	40						100	
Pressure area	cm <sup>2</sup>	6.42						14.52	
Stroke	mm	15	40	50	70	127	150	12	35
Minimum overall length	A	46	126	148	190	252	288	81	136
Inner diameter of the cylinder	φ	28.6						43	
Outside diameter of the cylinder	φ B	58	40	39				57	
Piston diameter	φ C	25	17	25				28	
Piston screw diameter	D	-	-	3/4-14NPT				-	-
Piston screw length	E	-	-	24				-	-
Plunger hole diameter	φ F	-	8	-	-	-	-	16	19
Plunger hole length	G	-	15	-	-	-	-	30	
Piston ejection length	H	-	11	29				11	10
Head cover diameter	φ I	-	20	-	-	-	-	27	
Head cover length	J	-	10	-	-	-	-	10	
Collar screw diameter	K	-	1 1/2-16NS					2 1/4-14NS	
Collar screw length	L	-	27	28				27	30
None thread length	M	-	2	3				6	
Base screw diameter	N	-	-	-	-	3/4-14NPT		-	-
Base screw depth	P	-	-	-	-	21		-	-
Boss length	Q	-	20	-	-	-	-	17	
Coupler ejection length	R	≒53		≒53	≒47			≒70	
Coupler position	S	18	20		35	40		21	25
Coupler connection diameter	-	Rc3/8						Rc3/8	
Attached coupler	-	S-1R						S-1R	
Necessary oil level	cm <sup>3</sup>	10	26	33	45	82	97	18	51
Approximate weight	kg	0.7	1.2	1.1	1.4	1.9	2.1	1.5	2.3

## ■ Available attachments

		S04-15	S04-40	S04-50	S04-70	S04-127	S04-150	S1-12	S1-35
Piston	Cap	-	Exclusive	R-4P				Including a special head cover	
	Piston base	-	-	RB-4				-	-
	Clevis	-	-	CLF-4-A (B)				-	-
Flange	-	4FS				10F			
Base	Cylinder base	-	-	-	-	CB-4		-	-
	Clevis	-	-	-	-	CLM-4-A (B)		-	-