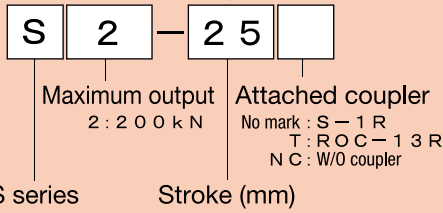


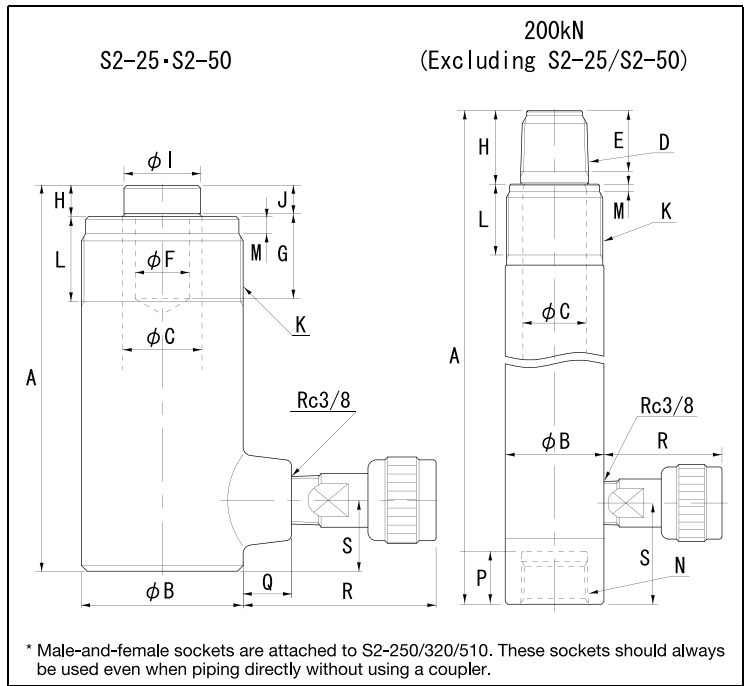
Imperial Thread Single-Acting Cylinder S series (return-by-spring type)

Hydraulic Cylinders

Description of the type



● The piston and the inner side of the cylinder tube are coated.



■ Specification

		200kN								
Type		S2-25	S2-50	S2-70	S2-126	S2-200	S2-250	S2-320	S2-510	
Maximum operating pressure	MPa	70								
Maximum output	kN	200								
Pressure area	cm ²	33.18								
Stroke	mm	25	50	70	126	200	250	320	510	
Minimum overall length	A	127	160	230	285	360	450	513	703	
Inner diameter of the cylinder	φ	65								
Outside diameter of the cylinder	φ B	86								
Piston diameter	φ C	45			57					
Piston screw diameter	D	-		2-11.5NPT						
Piston screw length	E	-		28						
Plunger hole diameter	φ F	19		-						
Plunger hole length	G	35		-						
Piston ejection length	H	16	15	28						
Head cover diameter	φ I	42		-						
Head cover length	J	15		-						
Collar screw diameter	K	3 5/16-12NS								
Collar screw length	L	51								
None thread length	M	6								
Base screw diameter	N	-		2-11.5NPT						
Base screw depth	P	-		27						
Boss length	Q	17		-						
Coupler ejection length	R	≒70		≒53			≒83			
Coupler position	S	25		48			47			
Coupler connection diameter	-	Rc3/8								
Attached coupler	-	S-1R								
Necessary oil level	cm ³	83	166	233	419	664	830	1,062	1,693	
Approximate weight	kg	4.6	5.8	8.0	9.7	12.3	14.5	17.0	25.0	

■ Available attachments

		S2-25	S2-50	S2-70	S2-126	S2-200	S2-250	S2-320	S2-510
Piston	Cap	Exclusive	Exclusive	R-20P					
	Piston base	-	-	RB-20					
	Clevis	-	-	CLF-20-A (B)					
Flange	20F								
Base	Cylinder base	-	-	CB-20					
	Clevis	-	-	CLM-20-A (B)					