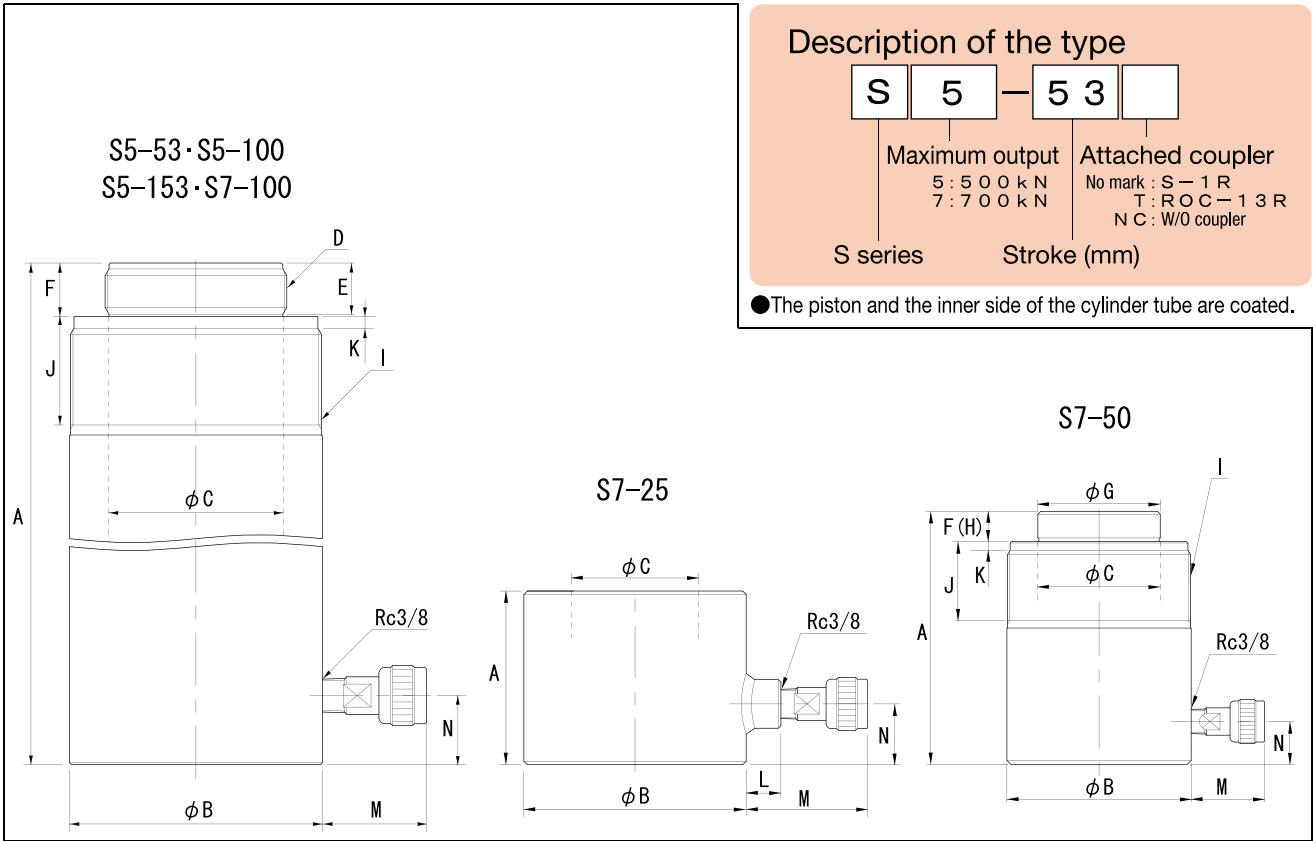


# Single-Acting Cylinder S series (return-by-spring type)

Hydraulic Cylinders



## ■ Specification

		500kN			700kN		
Type		S5-53	S5-100	S5-153	S7-25	S7-50	S7-100
Maximum operating pressure	MPa	70			70		
Maximum output	kN	500			700		
Pressure area	cm <sup>2</sup>	71.63			102.69		
Stroke	mm	53	100	153	25	50	100
Minimum overall length	A	207	254	307	130	200	278
Inner diameter of the cylinder	φ	95.5			114.35		
Outside diameter of the cylinder	φ B	128			150		151
Piston diameter	φ C	88.5			78	100	95
Piston screw diameter	D	M92 × 2.5			—	—	M90 × 2
Piston screw length	E	26			—	—	34
Piston ejection length	F	27			—	21	35
Head cover diameter	φ G	—			—	100	—
Head cover length	H	—			—	21	—
Collar screw diameter	I	M127 × 2.5			—	M150 × 3	
Collar screw length	J	55			—	60	
None thread length	K	6			—	6	
Boss length	L	—			19	—	
Coupler ejection length	M	≒53			≒72	≒53	
Coupler position	N	35			43	35	32
Coupler connection diameter	—	Rc3/8			Rc3/8		
Attached coupler	—	S-1R			S-1R		
Necessary oil level	cm <sup>3</sup>	380	717	1,096	257	514	1,027
Approximate weight	kg	18.0	22.0	26.0	16.5	22.6	31.5

## ■ Available attachments

		S5-53	S5-100	S5-153	S7-25	S7-50	S7-100
Piston	Cap	R-50P			Including a special head cover		R-70P
	Piston base	RB-50			—	—	—
	Clevis	—			—	—	—
Flange	50F			—	—	—	
Cylinder hanging hook	TH-127 (Handle type)			—	—	—	