

Double-Acting Cylinder MD series

Description of the type

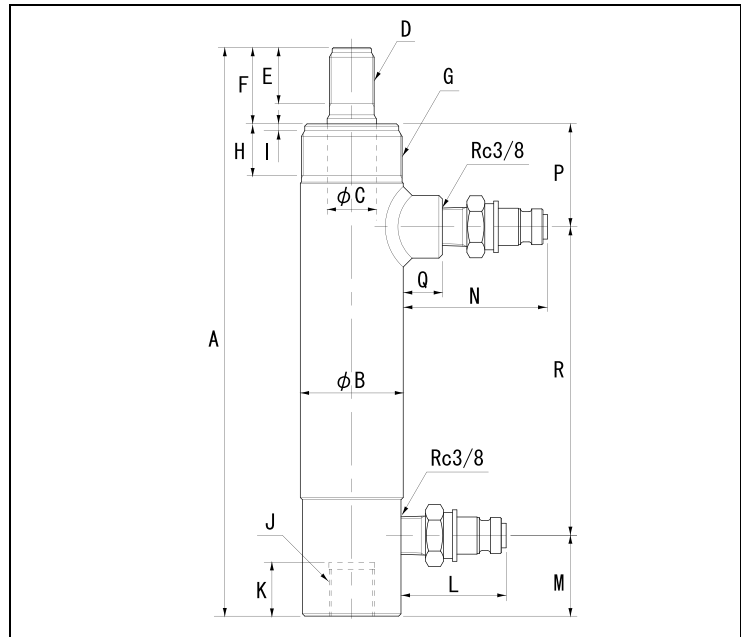
MD 05 - 50

Maximum output
05 : 50 kN

Attached coupler
No mark : ROC-13R
S : S-1R
NC : W/O coupler

MD series Stroke (mm)

●The piston is coated.



Specification

| Type | | MD05-50 | MD05-75 | MD05-100 | MD05-150 | MD05-200 | MD05-250 |
|----------------------------------|-------------------------|-------------------|-----------|----------|------------|----------|----------|
| Maximum operating pressure | MPa | 70 | | | | | |
| Push side | Maximum output | 50 | | | | | |
| | Pressure area | 7.16 | | | | | |
| Pull side | Maximum output | 23.4 | | | | | |
| | Pressure area | 3.36 | | | | | |
| Stroke | mm | 50 | 75 | 100 | 150 | 200 | 250 |
| Minimum overall length | A | 159 | 254 | 279 | 329 | 379 | 429 |
| Inner diameter of the cylinder | ϕ | 30.2 | | | | | |
| Outside diameter of the cylinder | ϕB | 46 | | | | | |
| Piston diameter | ϕC | 22 | | | | | |
| Piston screw diameter | D | M20 x 1.5 | | | | | |
| Piston screw length | E | 25 | | | | | |
| Piston ejection length | F | 34 | | | | | |
| Collar screw diameter | G | M45 x 1.5 | | | | | |
| Collar screw length | H | 23 | | | | | |
| None thread length | I | 3 | | | | | |
| Base screw diameter | J | - | M20 x 1.5 | | | | |
| Base screw depth | K | - | 24 | | | | |
| Push side | Coupler ejection length | $\cong 65$ (Note) | | | $\cong 48$ | | |
| | Coupler position | 20 | | | 36 | | |
| Pull side | Coupler ejection length | $\cong 65$ | | | $\cong 68$ | | |
| | Coupler position | 46 | | | | | |
| | Boss length | 17 | | | 19 | | |
| Distance between ports | R | 59 | 138 | 163 | 213 | 263 | 313 |
| Coupler connection diameter | - | Rc3/8 | | | | | |
| Attached coupler | - | ROC-13R | | | | | |
| Necessary oil level | cm ³ | 36 | 54 | 72 | 108 | 144 | 179 |
| Approximate weight | kg | 1.9 | 2.8 | 3.0 | 3.5 | 4.0 | 4.5 |

(Note) Only MD05-50 has another boss on the push side port.

Available attachments

| | | MD05-50 | MD05-75 | MD05-100 | MD05-150 | MD05-200 | MD05-250 |
|--------|---------------|-------------|-------------|----------|----------|----------|----------|
| Piston | Cap | R-5PM | | | | | |
| | Piston base | RB-5M | | | | | |
| | Clevis | CLF-5-1 (2) | | | | | |
| Flange | 5FM | | | | | | |
| Base | Cylinder base | - | CB-5M | | | | |
| | Clevis | - | CLM-5-1 (2) | | | | |