

Double-Acting Cylinder MD series

Hydraulic Cylinders

Description of the type

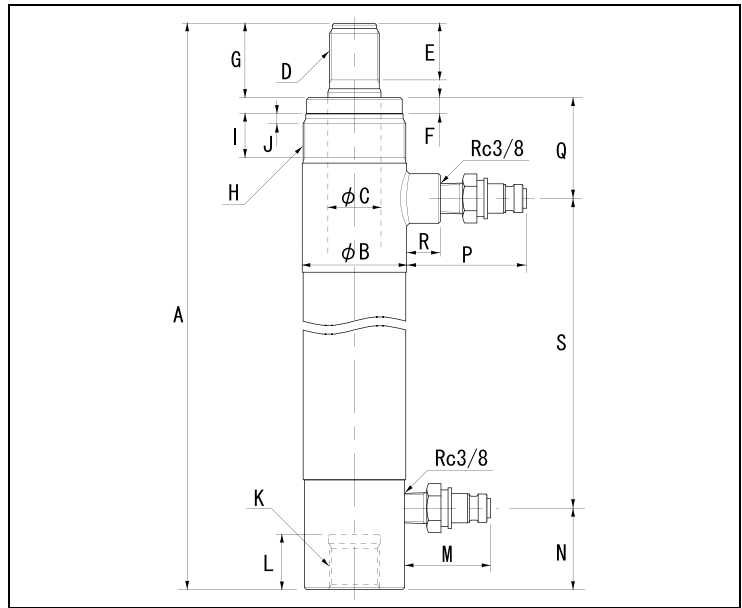
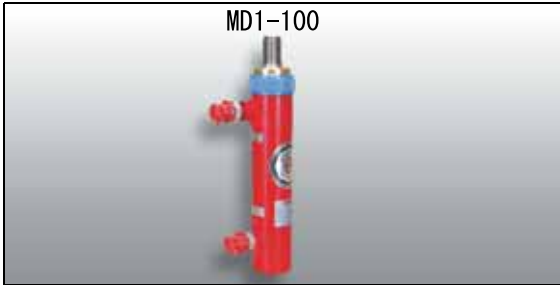
MD 1 - 50

Maximum output
1 : 100 kN

Attached coupler
No mark : ROC-13R
S : S-1R
N C : W/O coupler

MD series Stroke(mm)

●The piston is coated.



■ Specification

Type		MD1-50	MD1-100	MD1-150	MD1-200	MD1-250	MD1-300
Maximum operating pressure	MPa	70					
Push side	Maximum output	100					
	Pressure area	14.52					
Pull side	Maximum output	51.3					
	Pressure area	7.45					
Stroke	mm	50	100	150	200	250	300
Minimum overall length	A	244	320	370	420	470	520
Inner diameter of the cylinder	ϕ	43.0					
Outside diameter of the cylinder	ϕB	59					
Piston diameter	ϕC	30					
Piston screw diameter	D	M28 × 2					
Piston screw length	E	32					
No thread length	F	9					
Piston ejection length	G	42					
Collar screw diameter	H	M58 × 2					
Collar screw length	I	25					
None thread length	J	3					
Base screw diameter	K	M28 × 2					
Base screw depth	L	31					
Push side	Coupler ejection length	≒ 49					
	Coupler position	20	46				
Pull side	Coupler ejection length	≒ 69					
	Coupler position	57					
	Boss length	20					
Distance between ports	S	125	175	225	275	325	375
Coupler connection diameter	-	Rc3/8					
Attached coupler	-	ROC-13R					
Necessary oil level	cm ³	73	146	218	291	363	436
Approximate weight	kg	4.0	5.2	6.0	6.8	7.6	8.3

■ Available attachments

		MD1-50	MD1-100	MD1-150	MD1-200	MD1-250	MD1-300
Piston	Cap	R-10PM					
	Tilt saddle	R-10SP					
	Piston base	RB-10M					
	Clevis	CLF-10-1 (2)					
Flange		10FM					
Base	Cylinder base	CB-10M					
	Clevis	CLM-10-1 (2)					