

Double-Acting Cylinder MD series

Description of the type

MD 2 - 50

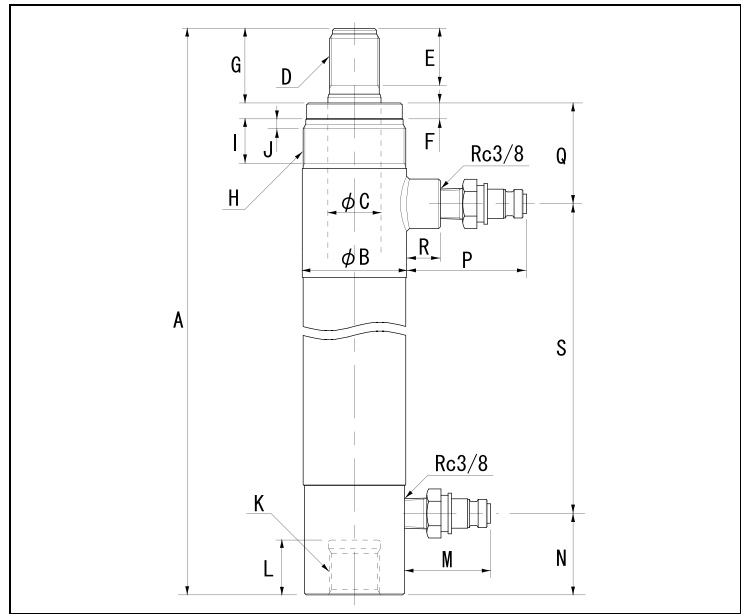
Maximum output
2 : 200 kN

Attached coupler
No mark : ROC-13R
S : S-1R
N C : W/O coupler

MD series

Stroke (mm)

●The piston is coated.



■ Specification

Type		MD2-50	MD2-100	MD2-150	MD2-200	MD2-300	MD2-500
Maximum operating pressure	MPa	70					
Push side	Maximum output	200					
	Pressure area	28.74					
Pull side	Maximum output	103					
	Pressure area	14.89					
Stroke	mm	50	100	150	200	300	500
Minimum overall length	A	244	395	445	495	595	795
Inner diameter of the cylinder	ϕ	60.5					
Outside diameter of the cylinder	ϕB	82	83				
Piston diameter	ϕC	42					
Piston screw diameter	D	M40 x 2					
Piston screw length	E	36					
No thread length	F	10					
Piston ejection length	G	45					
Collar screw diameter	H	M82 x 2					
Collar screw length	I	50					
None thread length	J	6	5				
Base screw diameter	K	M40 x 2					
Base screw depth	L	39					
Push side	Coupler ejection length	≒ 48		≒ 49			
	Coupler position	20		57			
Pull side	Coupler ejection length	≒ 67		≒ 69			
	Coupler position	83					
	Boss length	19		20			
Distance between ports	S	96	210	260	310	410	610
Coupler connection diameter	-	Rc3/8					
Attached coupler	-	ROC-13R					
Necessary oil level	cm ³	144	288	432	575	863	1437
Approximate weight	kg	8.2	13.0	14.6	16.1	19.3	25.5

■ Available attachments

		MD2-50	MD2-100	MD2-150	MD2-200	MD2-300	MD2-500
Piston	Cap	R-20PM					
	Tilt saddle	R-20SP					
	Piston base	RB-20M					
	Clevis	CLF-20-1 (2)					
Flange	20FM						
Base	Cylinder base	-	CB-20M				
	Clevis	-	CLM-20-1 (2)				