

# Imperial Thread Double-Acting Cylinder D series

## Description of the type

**D 1 - 50**

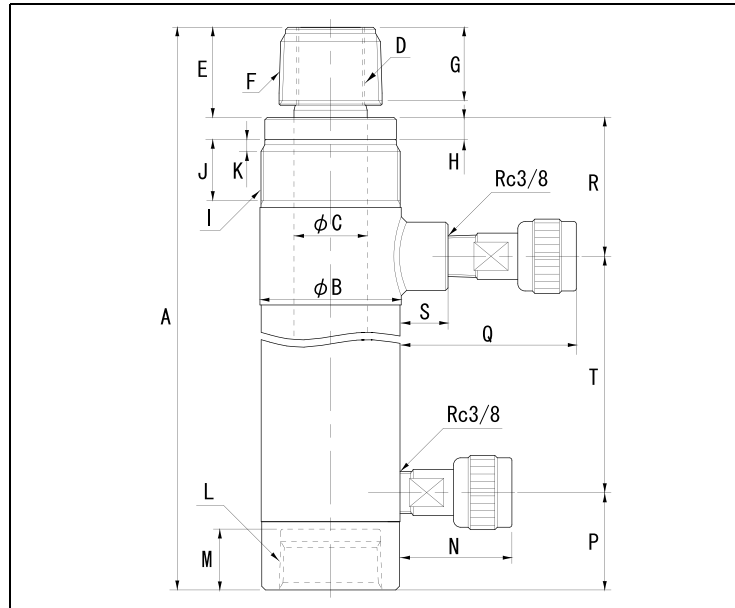
Maximum output  
1 : 100 kN

Attached coupler  
No mark : S - 1 R  
T : ROC - 1 3 R  
N C : W/O coupler

D series

Stroke (mm)

●The piston is coated.



## ■ Specification

Type		D1-50	D1-100	D1-150	D1-200	D1-260	D1-300
Maximum operating pressure	MPa	70					
Push side	Maximum output	100					
	Effective area	14.52					
Pull side	Maximum output	51.3					
	Effective area	7.45					
Stroke	mm	50	100	150	200	260	300
Minimum overall length	A	231	281	330	381	440	481
Inner diameter of the cylinder	φ	43.0					
Outside diameter of the cylinder	φ B	58					
Piston diameter	φ C	30					
Piston screw diameter	D	M28 × 2					
Piston ejection length	E	37					
Cap screw diameter	F	1 1/4-11.5NPT					
Cap screw length	G	30					
No thread length	H	9					
Collar thread diameter	I	2 1/4-14NS					
Collar thread length	J	25					
None thread length	K	5					
Base screw diameter	L	1 1/4-11.5NPT					
Base screw depth	M	25					
Push side	Coupler ejection length	≒ 46					
	Coupler position	40					
Pull side	Coupler ejection length	≒ 73					
	Coupler position	57					
	Boss length	20					
Distance between ports	T	97	147	196	247	306	347
Coupler connection diameter	-	Rc3/8					
Attached coupler	-	S-1R					
Necessary oil level	cm <sup>3</sup>	73	146	218	291	378	436
Approximate weight	kg	3.3	4.5	5.3	6.1	6.9	7.5

## ■ Available attachments

		D1-50	D1-100	D1-150	D1-200	D1-260	D1-300
Piston	Cap	R-10P					
	Piston base	RB-10					
	Clevis	CLF-10-A (B)					
Flange		10F					
Base	Cylinder base	CB-10					
	Clevis	CLM-10-A (B)					