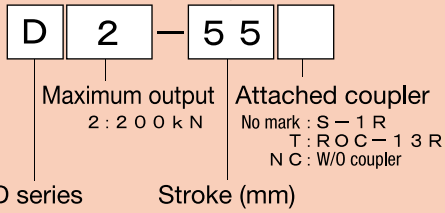


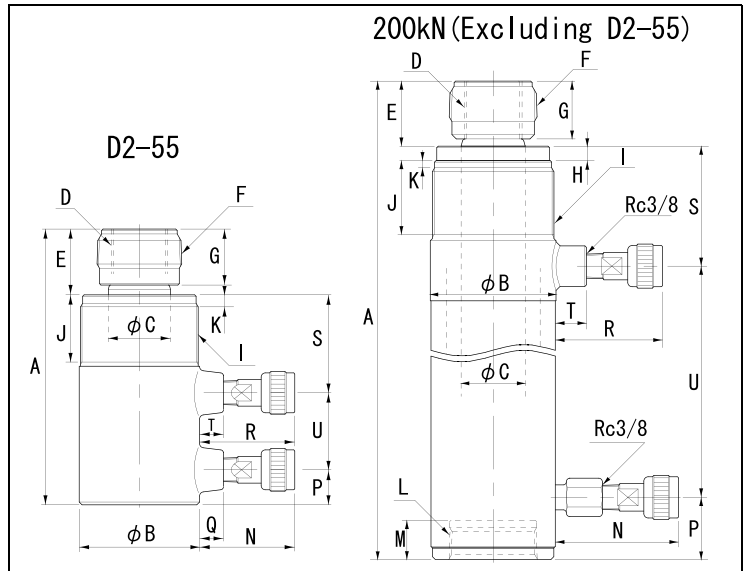
# Imperial Thread Double-Acting Cylinder D series

Hydraulic Cylinders

## Description of the type



●The piston is coated.



## Specification

Type		D2-55	D2-100	D2-150	D2-200	D2-300	D2-500
Maximum operating pressure	MPa	70					
Push side	Maximum output	200					
	Effective area	33.18					
Pull side	Maximum output	106					
	Effective area	17.72					
Stroke	mm	55	100	150	200	302	502
Minimum overall length	A	197	331	380	431	532	732
Inner diameter of the cylinder	$\phi$	65.0					
Outside diameter of the cylinder	$\phi B$	86	87				
Piston diameter	$\phi C$	44.37					
Piston screw diameter	D	M40 × 3					
Piston ejection length	E	47	45				
Cap screw diameter	F	2-11.5NPT					
Cap length	G	40					
No thread length	H	-	10				
Collar thread diameter	I	3 5/16-12NS					
Collar thread length	J	48	51				
None thread length	K	6	5				
Base screw diameter	L	-	2-11.5NPT				
Base screw depth	M	-	27				
Push side	Coupler ejection length	N	≒ 70	≒ 83 (Note)			
	Coupler position	P	25	43			
	Boss length	Q	17	-			
Pull side	Coupler ejection length	R	≒ 70	≒ 73			
	Coupler position	S	70	83			
	Boss length	T	17	20			
Distance between ports	U	55	160	209	260	361	561
Coupler connection diameter	-	Rc3/8					
Attached coupler	-	S-1R					
Necessary oil level	cm <sup>3</sup>	183	332	498	664	1002	1666
Approximate weight	kg	7.1	11.8	13.5	15.1	18.4	25.5

(Note) Male-and-female sockets are attached to the push port of the cylinders except for D2-55. These sockets should always be used even when no coupler is used.

## Available attachments

		D2-55	D2-100	D2-150	D2-200	D2-300	D2-500
Piston	Cap	R-20P					
	Piston base	RB-20					
	Clevis	CLF-20-A (B)					
Flange		20F					
Base	Cylinder base	-	CB-20				
	Clevis	-	CLM-20-A (B)				