

Strong-Type Double-Acting Cylinder SD series

Production by order

Hydraulic Cylinders

- Excellent durability ensures safety even when frequently used.
- Couplers are not included in any model.
- A width across flat is provided at the piston area.

Description of the type

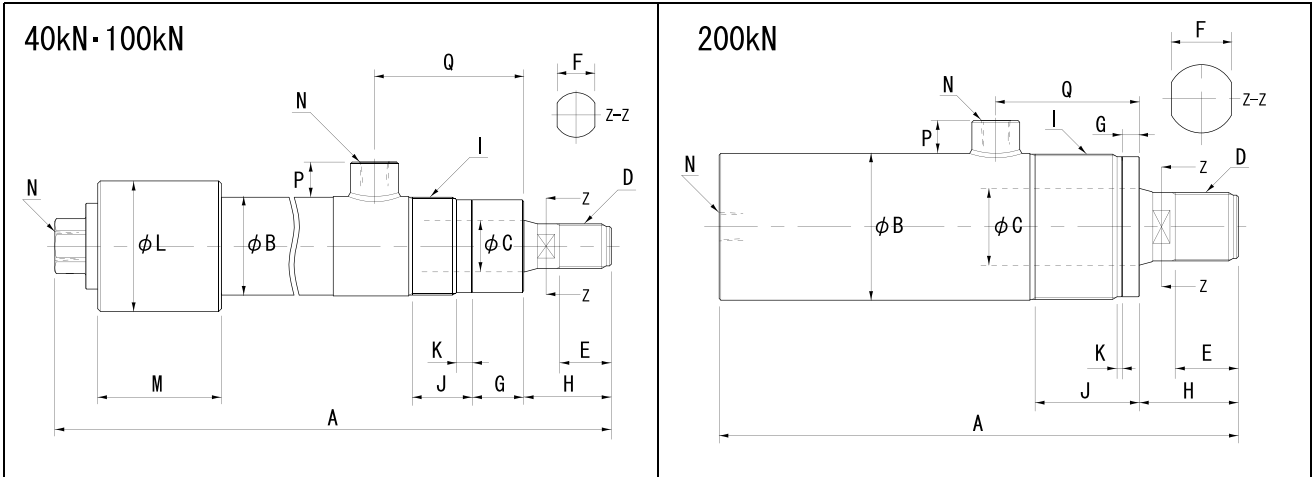
SD 04 - 100

Maximum output

0 4 : 4 0 kN
1 : 1 0 0 kN
2 : 2 0 0 kN

SD series

Stroke (mm)



Specification

		40kN			100kN		200kN		
Type		SD04-100	SD04-150	SD04-200	SD1-150	SD1-250	SD2-50	SD2-75	SD2-100
Maximum operating pressure	MPa	70			70		70		
Push side	Maximum output	40			100		200		
	Effective area	6.42			14.52		29.22		
Pull side	Maximum output	20.4			51.3		91.2		
	Effective area	3.28			7.45		13.32		
Stroke	mm	100	150	200	150	250	50	75	100
Minimum overall length	A	339	389	439	423	523	304	329	354
Inner diameter of the cylinder	ϕ	28.6			43.0		61.0		
Outside diameter of the cylinder	ϕB	45			58		86		
Piston diameter	ϕC	20			30		45		
Piston screw diameter	D	M18 × 1.5			M26 × 2		M40 × 2		
Piston screw length	E	26			30		37		
Width across flat	F	15			22		35		
No thread length	G	25			30		10		
Piston ejection length	H	43			51		58		
Collar thread diameter	I	M45 × 1.5			M57 × 2		M85 × 2		
Collar thread length	J	25			35		51		
None thread length	K	3			9		3		
Outside diameter of the bottom cap	ϕL	63			76		-		
Bottom cap length	M	60			72		-		
Coupler connection diameter	N	Rc3/8			Rc3/8		Rc3/8		
Pull side boss length	P	20			20		20		
Pull port position	Q	77			87		84		
Attached coupler	-	-	-	-	-	-	-	-	-
Necessary oil level	cm ³	65	97	129	218	363	147	220	293
Approximate weight	kg	4.2	4.7	5.2	8.3	9.5	11.0	11.8	12.5

Available attachments

		SD04-100	SD04-150	SD04-200	SD1-150	SD1-250	SD2-50	SD2-75	SD2-100
Piston	Cap	Exclusive (Production by order)			Exclusive (Production by order)		R-20PM		
	Piston base	Exclusive (Production by order)			Exclusive (Production by order)		RB-20M		
	Clevis	Exclusive (Production by order)			Exclusive (Production by order)		CLF-20-1 (2)		
Flange	5FM				Exclusive (Production by order)		Exclusive (Production by order)		