

Double-Acting Type Center Hole Cylinder DC series

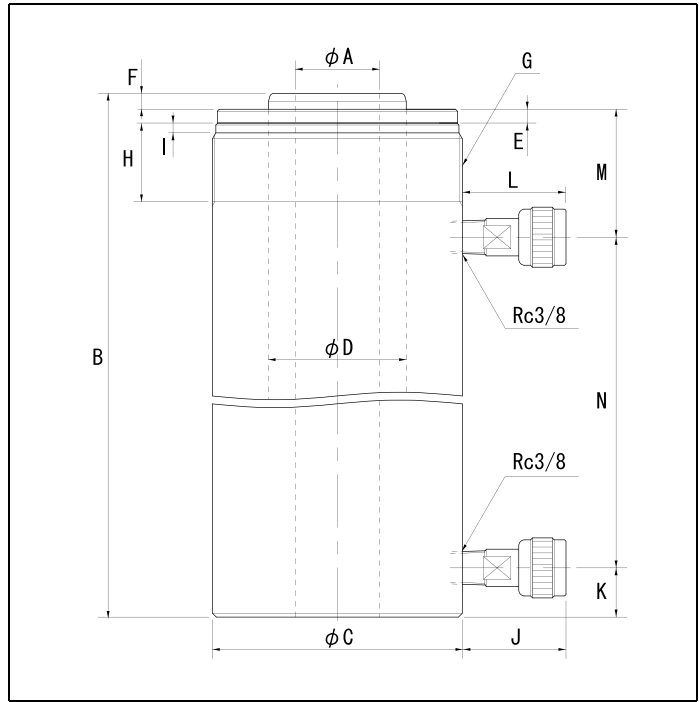
Hydraulic Cylinders

Description of the type

DC 2 - 100

DC series Maximum output 2 : 200 kN 3 : 300 kN 4 : 400 kN	Attached coupler No mark : S-1R T : ROC-13R NC : W/O coupler
---	---

● A through-hole is provided at the center of the piston, and is useful for various tensile tests and tension units.



■ Specification

		200kN		300kN		400kN	
Type		DC2-100	DC2-200	DC3-100	DC3-200	DC4-100	DC4-200
Maximum operating pressure	MPa	70		70		70	
Push side	Maximum output	200		300		400	
	Effective area	30.63		47.87		58.31	
Pull side	Maximum output	111		207		249	
	Effective area	17.08		33.14		36.32	
Stroke	mm	100	200	100	200	100	200
Center hole diameter	ϕA	40.5		42.5		47.5	
Minimum overall length	B	241	341	266	366	271	371
Inner diameter of the cylinder	ϕ	80		95.5		105	
Outside diameter of the cylinder	ϕC	110		127		135	
Piston diameter	ϕD	65		70		80	
No thread length	E	7		7		7	
Piston ejection length	F	8		8		8	
Collar thread diameter	G	M110 × 2		M127 × 2.5		M135 × 3	
Collar thread length	H	35		40		40	
None thread length	I	5		5		5	
Push side	Coupler ejection length	≒ 53		≒ 53		≒ 53	
	Coupler position	30		25		25	
Pull side	Coupler ejection length	73 (Note)		≒ 53		≒ 53	
	Coupler position	67		65		70	
Distance between ports	N	136	236	168	268	168	268
Coupler connection diameter	-	Rc3/8		Rc3/8		Rc3/8	
Attached coupler	-	S-1R		S-1R		S-1R	
Necessary oil level	cm ³	307	613	479	958	584	1167
Approximate weight	kg	13.5	19.0	20.0	26.5	22.5	30.0

(Note) The pull ports of DC2-100/DC2-200 have a boss of 20 mm length.

■ Available attachments

	DC2-100	DC2-200	DC3-100	DC3-200	DC4-100	DC4-200
Cylinder hanging hook	TH-110		TH-127		TH-135	
Flange	※		50F		※	

The special flange marked with “※” is available on request.