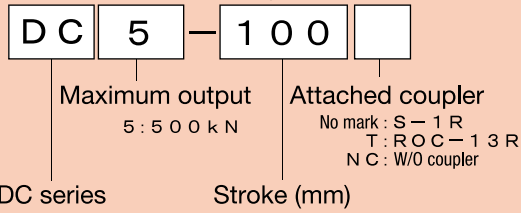
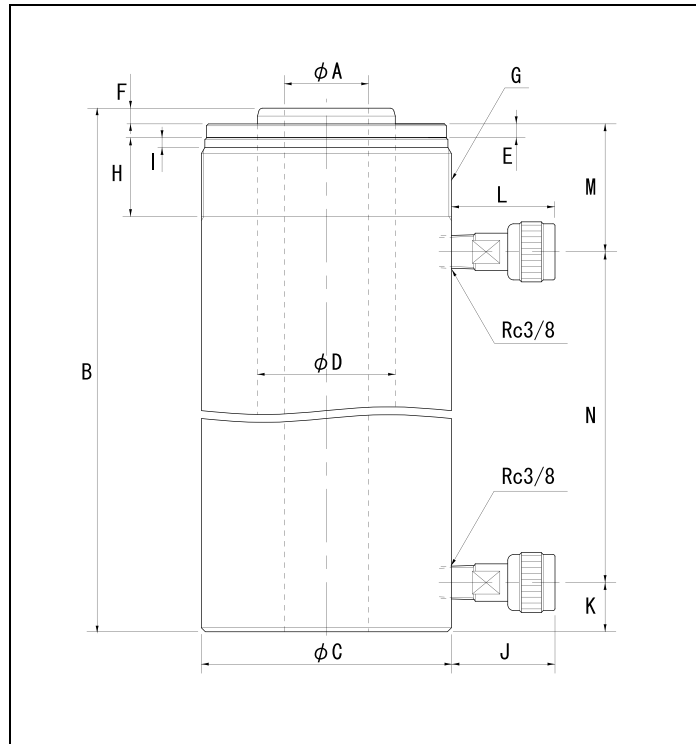


Double-Acting Type Center Hole Cylinder DC series

Description of the type (for the DC5 type)



- A through-hole is provided at the center of the piston, and is useful for various tensile tests and tension units.



Specification

		500kN		700kN	1,000kN	2,000kN
Type		DC5-100	DC5-200	DC7-150	DC10-150	DC20-150
Maximum operating pressure	MPa	70		70	70	70
Push side	Maximum output	500		700	1,000	2,000
	Effective area	74.61		103.67	153.93	298.45
Pull side	Maximum output	332		398	610	1,130
	Effective area	49.48		58.90	93.97	168.86
Stroke	mm	100	200	150	150	150
Center hole diameter	φ A	55.5		62.5	78.5	108.5
Minimum overall length	B	281	381	346	356	376
Inner diameter of the cylinder	φ	120		140	175	240
Outside diameter of the cylinder	φ C	165		185	230	315
Piston diameter	φ D	90		110	136.6	190
No thread length	E	7		7	7	7
Piston ejection length	F	8		8	8	8
Collar thread diameter	G	M165 × 3		M185 × 3	M230 × 3	M315 × 4
Collar thread length	H	45		50	60	60
None thread length	I	5		5	5	3
Push side	Coupler ejection length	≒ 53		≒ 56	≒ 56	≒ 56
	Coupler position	25		30	30	30
Pull side	Coupler ejection length	≒ 53		≒ 56	≒ 56	≒ 56
	Coupler position	72		82	92	107
Distance between ports	N	176	276	226	226	231
Coupler connection diameter	-	Rc3/8		Rc1/2	Rc1/2	Rc1/2
Attached coupler	-	S-1R		S-24R	S-24R	S-24R
Necessary oil level	cm ³	747	1,493	1,556	2,309	4,477
Approximate weight	kg	36	47	57	89	180

Available attachments

	DC5-100	DC5-200	DC7-150	DC10-150	DC20-150
Cylinder hanging hook	TH-165		TH-185	TH-230	TH-315
Flange	※		100FB	※	300F

The special flange marked with “※” is available on request.