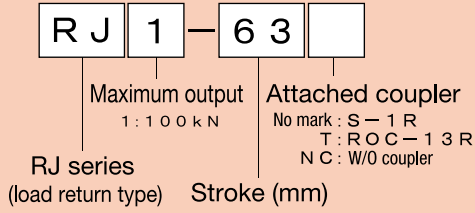


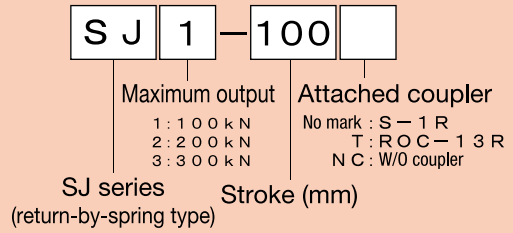
Single-Acting Cylinder for Jack-Up RJ/SJ series

Hydraulic Cylinders

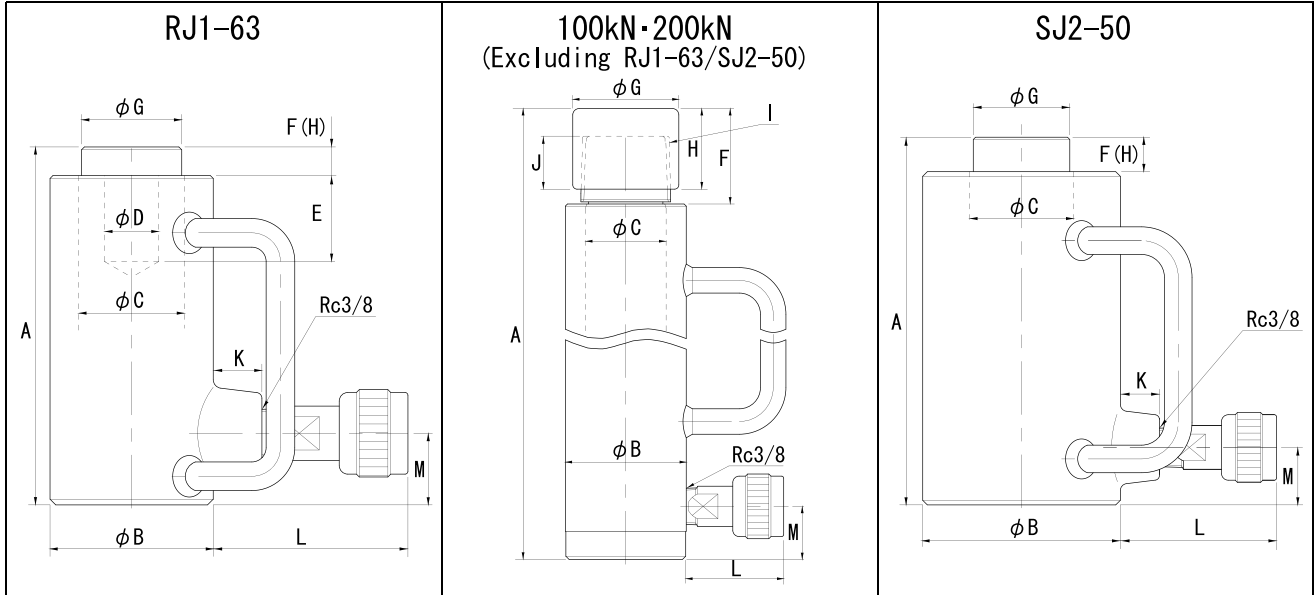
Description of the type



Description of the type



● Both cylinders include a cap at the tip of the piston.



■ Specification

		RJ type	SJ type							
		100kN	100kN			200kN	300kN			
Type		RJ1-63	SJ1-100	SJ1-150	SJ1-255	SJ2-50	SJ2-126	SJ3-125		
Return system		By load	By spring			By spring		By spring		
Maximum operating pressure	MPa	70						70		
Maximum output	kN	100						200	300	
Effective area	cm ²	14.52						33.18	44.17	
Stroke	mm	63	100	150	255	50	126	125		
Minimum overall length	A	125	248	298	412	160	271	270		
Inner diameter of the cylinder	φ	43						65	75	
Outside diameter of the cylinder	φ B	57						86	102	
Piston diameter	φ C	37	38			45	57	68		
Piston hole diameter	φ D	19	-							
Piston hole length	E	30	-							
Piston ejection length	F	10	45			15	31	25		
Head cover diameter	G	35	50			42	70	68		
Head cover length	H	10	38			15	29	-		
Piston screw diameter	I	-	1 1/4-11.5NPT			-		-		
Piston screw length	J	-	25			-		-		
Attached cap	-	Exclusive	R-10P			Exclusive		Exclusive		
Boss length	K	17	-			17	-	-		
Coupler ejection length	L	≒ 70	≒ 46			≒ 70	≒ 53	≒ 53		
Coupler position	M	25						25	31	30
Coupler connection diameter	-	Rc3/8						Rc3/8		Rc3/8
Attached coupler	-	S-1R						S-1R		S-1R
Necessary oil level	cm ³	92	146	218	371	166	419	553		
Approximate weight	kg	2.4	4.3	5.1	6.9	6.1	10.2	14.2		