

Single-Acting Cylinder for Jack-Up SJ/SN series

Description of the type

S J 4 - 125

Maximum output
4 : 400 kN
5 : 500 kN

Attached coupler
No mark : S-1R
T : ROC-13R
NC : W/O coupler

SJ series
(return-by-spring type) Stroke (mm)

Description of the type

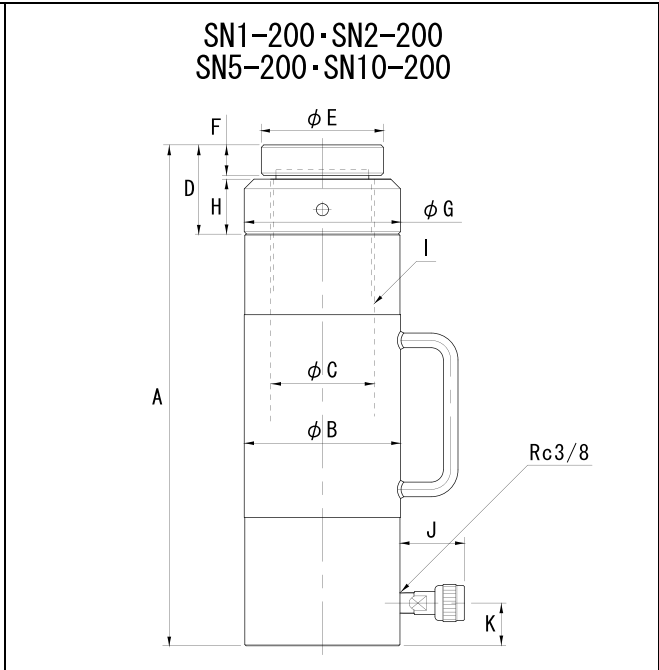
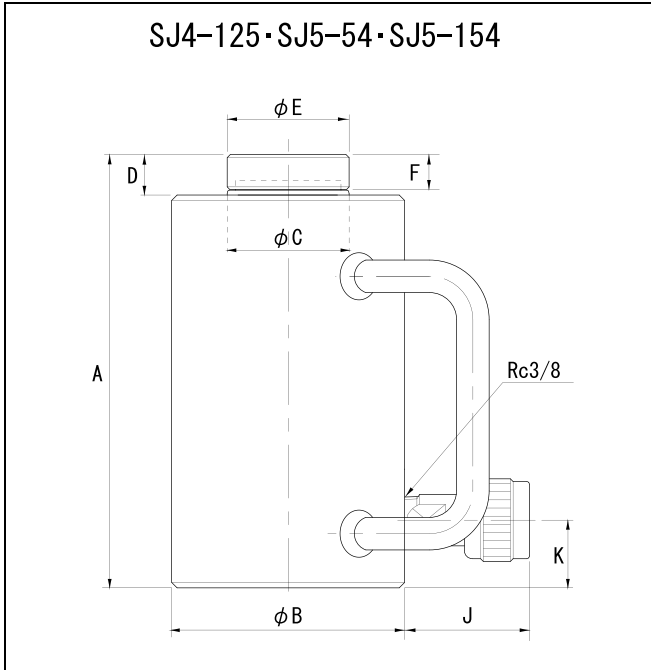
S N 1 - 200

Maximum output
1 : 100 kN
2 : 200 kN
5 : 500 kN
10 : 1000 kN

Attached coupler
No mark : S-1R
T : ROC-13R
NC : W/O coupler

SN series
(return-by-spring type with safety nut) Stroke (mm)

● Both cylinders include a cap at the tip of the piston.



■ Specification

	SJ type			SN type			
	400kN	500kN		100kN	200kN	500kN	1,000kN
Type	SJ4-125	SJ5-54	SJ5-154	SN1-200	SN2-200	SN5-200	SN10-200
Return system	By spring			By spring			
Maximum operating pressure	MPa	70	70	70	70	70	70
Maximum output	kN	400	500	100	200	500	1,000
Effective area	cm ²	57.77	71.63	14.52	33.18	71.63	146.55
Stroke	mm	125	54 154	200	200	200	200
Minimum overall length	A	270	200 300	368	387	410	485
Inner diameter of the cylinder	φ	85.77	95.5	43	65	95.5	136.6
Outside diameter of the cylinder	φB	117	128	57	86	128	173
Piston diameter	φC	75	88.5	38	57	85	115
Piston ejection length	D	25	20	60	73	73	103
Head cover diameter	φE	75	88	50	70	100	125
Head cover length	F	21.5	20	30	34	25	30
Attached cap	-	Exclusive	Exclusive	Exclusive	Exclusive	Exclusive	Exclusive
Safety nut diameter	φG	-	-	58	86	128	167
Safety nut height	H	-	-	25	35	45	70
Square screw size	I	-	-	38×5	57×6	85×8	115×10
Coupler ejection length	J	≒53	≒53	≒46	≒53	≒53	≒53
Coupler position	K	35	35	25	33	35	32
Coupler connection diameter	-	Rc3/8	Rc3/8	Rc3/8	Rc3/8	Rc3/8	Rc3/8
Attached coupler	-	S-1R	S-1R	S-1R	S-1R	S-1R	S-1R
Necessary oil level	cm ³	723	387 1,104	291	664	1,433	2,931
Approximate weight	kg	18.0	17.0 26.5	6.0	14.0	33.5	72.0