

# Light Cylinder for Jack-Up (aluminum cylinder)

## Description of the type

**S J 5 - 5 0 A L**

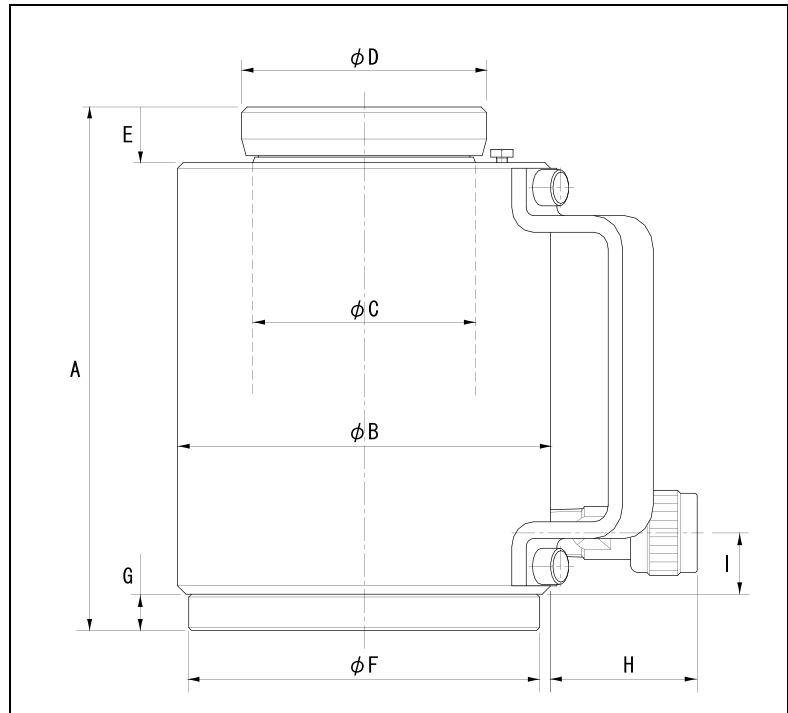
Maximum output  
5: 500 kN  
10: 1000 kN

Aluminum cylinder

SJ series      Stroke (mm)

- Super-high durable aluminum materials are used for the entire part, reducing the weight to about half that of the standard cylinder.
- Special surface treatment of the entire part assures good wear resistance.
- While the cylinder is being used, the load should be supported by the whole surfaces of the piston/base sides.
- When an unbalanced load may be applied in some circumstances, a tilt saddle (optional) should be used.
- The SJ10 type may not be returned completely only by the return spring force.

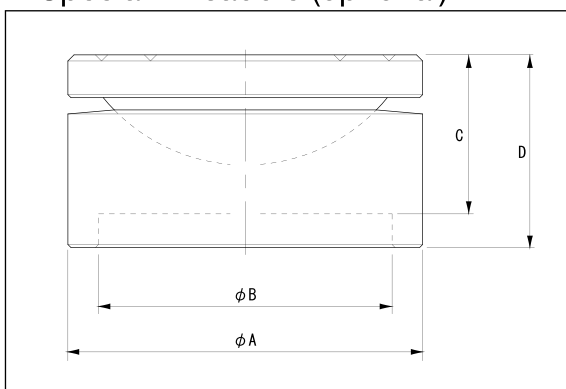
※ The 1000 kN type is available on request.



## ■ Specification

		500kN			1,000kN		
Type		SJ5-50AL	SJ5-100AL	SJ5-150AL	SJ10-50AL	SJ10-100AL	SJ10-150AL
Maximum operating pressure	MPa	70			70		
Maximum output	kN	500			1,000		
Effective area	cm <sup>2</sup>	71.63			146.55		
Stroke	mm	50	100	150	50	100	150
Minimum overall length	A	188	248	318	242	292	361
Inner diameter of the cylinder	φ	95.5			136.6		
Outside diameter of the cylinder	φ B	134			192		
Piston diameter	φ C	80			112		
Outside diameter of the cap	φ D	88			126		
Piston ejection length	E	20			26		
Base diameter	φ F	126			182		
Base height	G	13			16		
Coupler ejection length	H	≒53			≒53		
Coupler position	I	22			32		
Coupler connection diameter	-	Rc3/8			Rc3/8		
Attached coupler	-	S-1R			S-1R		
Necessary oil level	cm <sup>3</sup>	358	717	1,075	733	1,466	2,199
Approximate weight	kg	9.3	11.5	13.7	25.8	29.9	35.4

## ■ Special tilt saddle (optional)



## ■ Dimension list

Type	Specification	A	B	C	D	Approximate weight (kg)
RAL-50	For 500 kN	88	76	35	40.5	1.6
RAL-100	For 1000 kN	126	105	50	57.0	4.8

※ The cap should be used when an unbalanced load may be applied.

※ Maximum vibration angle: 5 deg