

Single-Acting Cylinder LJ series (short type / return-by-spring type)

Description of the type

L J 1 0 - 1 5

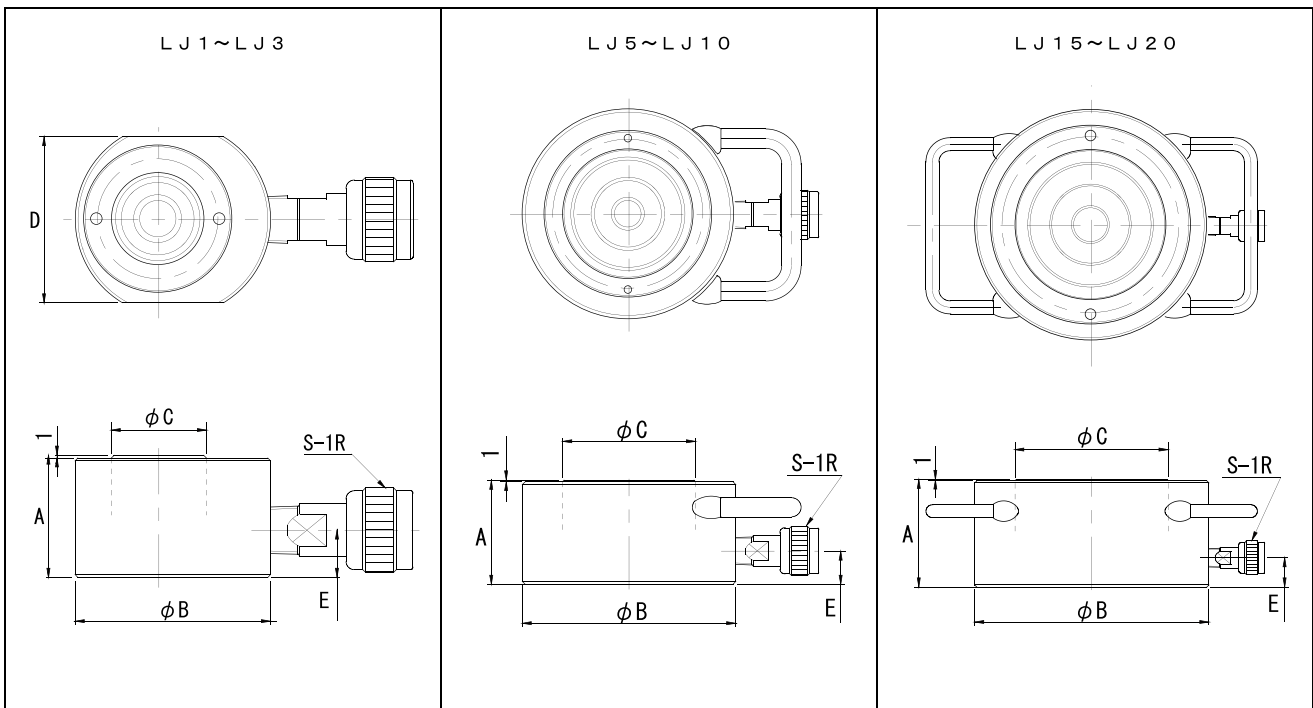
Maximum output
(e.g.) 1 : 100 kN
2 : 200 kN
5 : 500 kN

Attached coupler
No mark : S-1R
T : ROC-13R
NC : W/O coupler

LJ series

Stroke (mm)

- All thin jacks with 15 mm stroke
- Those of 500 kN or larger have a handle.
- The cylinder tube and the piston receiver are plated with electroless nickel.



■ Specification

		100kN	200kN	300kN	500kN	750kN	1,000kN	1,500kN	2,000kN
Type		LJ1-15	LJ2-15	LJ3-15	LJ5-15	LJ7.5-15	LJ10-15	LJ15-15	LJ20-15
Maximum operating pressure	MPa	70							
Maximum output	kN	100	200	300	500	750	1,000	1,500	2,000
Pressure area	cm ²	14.52	30.19	46.56	72.38	109.35	149.57	215.12	285.26
Stroke	mm	15							
Minimum overall length	A	44	52	58	65	76	83	99	112
Inner diameter of the cylinder	phi	43.0	62.0	77.0	96.0	118.0	138.0	165.5	190.58
Outside diameter of the cylinder	phi B	70	88	105	132	154	174	214	262
Piston diameter	phi C	34	48	60	82	105	112	140	165
Width across flat	D	60	78	98	-	-	-	-	-
Coupler ejection length	mm	≒ 53							
Coupler position	E	17	18	19	21	25	28	27	28
Coupler connection diameter	-	Rc3/8							
Attached coupler	-	S-1R							
Necessary oil level	cm ³	22	46	70	109	164	225	323	428
Approximate weight	kg	1.1	2.1	3.5	6.4	10.5	14.2	26.2	45.0