

Single-Acting Cylinder MC series (short type / return-by-spring type)

Hydraulic Cylinders

Description of the type

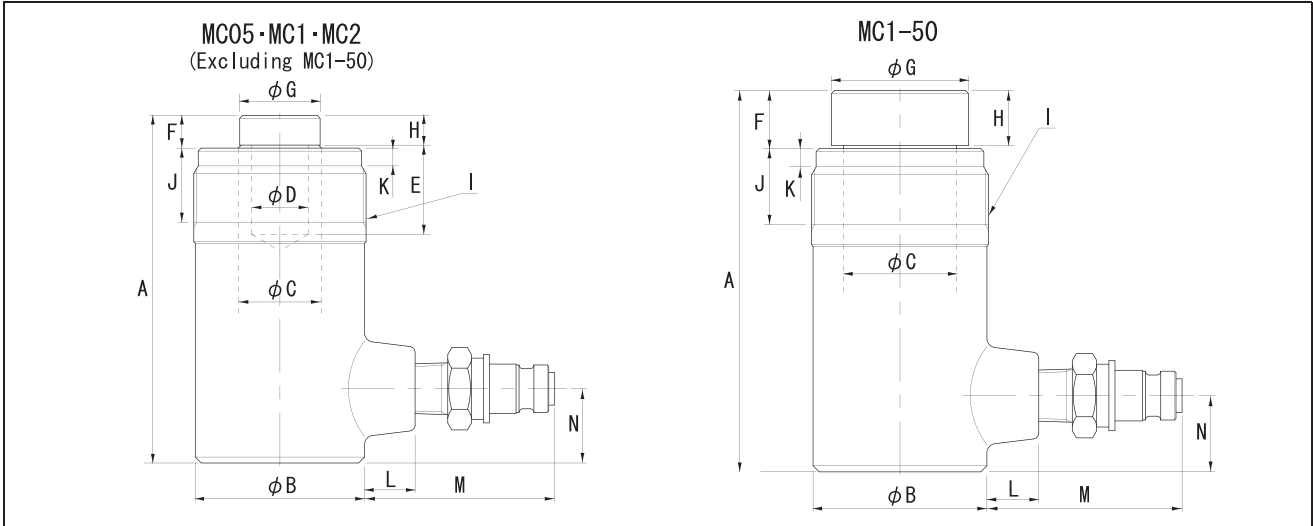
MC 05 - 25

Maximum output 05 : 50 kN 1 : 100 kN 2 : 200 kN	Attached coupler No mark : ROC-13R S : S-1R NC : W/O coupler
--	---

MC series Stroke (mm)



● The piston and the inner side of the cylinder tube are coated.



■ Specification

Type		50kN		100kN				200kN	
		MC05-25	MC05-50	MC1-15	MC1-25	MC1-35	MC1-50	MC2-25	MC2-50
Maximum operating pressure	MPa	70		70				70	
Maximum output	kN	50		100				200	
Pressure area	cm ²	7.16		14.52				28.74	
Stroke	mm	25	50	15	25	35	50	25	50
Minimum overall length	A	101	144	88	111	128	125	127	171
Inner diameter of the cylinder	φ	30.2		43.0				60.5	
Outside diameter of the cylinder	φB	46		57				82	
Piston diameter	φC	18		28		37		38	
Piston screw diameter	-	-		-				-	
Plunger hole diameter	φD	8		19		-		19	
Plunger hole length	E	25		30		-		35	
Piston ejection length	F	11		11		19		16	
Head cover diameter	φG	20		27		45		36	
Head cover length	H	10		10		18		15	
Collar screw diameter	I	M45 × 1.5		M58 × 2				M82 × 2	
Collar screw length	J	23		25				50	
None thread length	K	3		6				6	
Boss length	L	18		17				19	
Coupler ejection length	M	≒66		≒65				≒67	
Coupler position	N	25		21	25		25		
Coupler connection diameter	-	Rc3/8		Rc3/8				Rc3/8	
Attached coupler	-	ROC-13R		ROC-13R				ROC-13R	
Necessary oil level	cm ³	18	36	22	37	51	73	72	144
Approximate weight	kg	1.2	1.7	1.6	1.9	2.2	2.1	4.3	5.6

■ Available attachments

Available attachments		MC05-25	MC05-50	MC1-15	MC1-25	MC1-35	MC1-50	MC2-25	MC2-50
Piston	Cap	Including a special head cover		Including a special head cover				Including a special head cover	
	Tilt saddle	-		R-1020SP				-	
Flange		5FM		10FM				20FM	