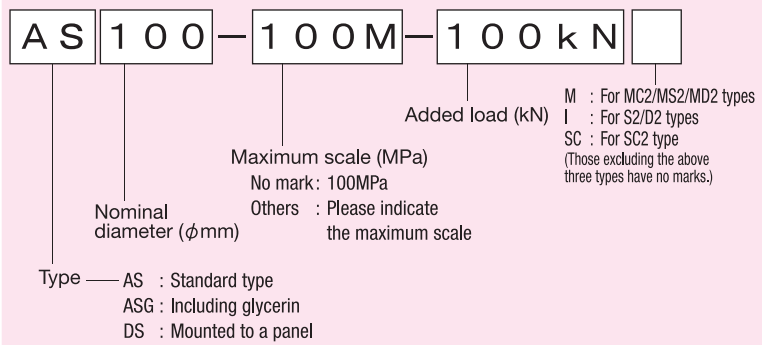


Pressure gauge with load scales (kN added)

● A pressure gauge in which load scales corresponding to the cylinder effective area are indicated in addition to the pressure scales (not included in the inspection items).

- ※ The cylinder effective area must be indicated when ordering.
- ※ These pressure gauges with load scales are available on request except for the following types.
- ※ The inspection report, calibration certificate, and traceability system diagram are not included. If necessary, please indicate your requirements when ordering. If you need them after placing the order, please return the actual pressure gauge to us.

Description of the type



■ Specification (standard stock)

Type	Effective area (cm ²)	Compatible cylinder
AS100-50kN	7.16	MC05, MS05, MD05
AS100-100kN	14.52	MC1, MS1,S1, MD1,D1,,MR1,R1
AS100-120kN	17.86	SC1.2
AS100-200kNM	28.74	MC2, MS2, MD2
AS100-200kNSC	28.86	SC2
AS100-200kNI	33.18	S2,D2
AS100-360kN	51.42	SC3.6
AS100-500kN	71.63	S5, D5, R5

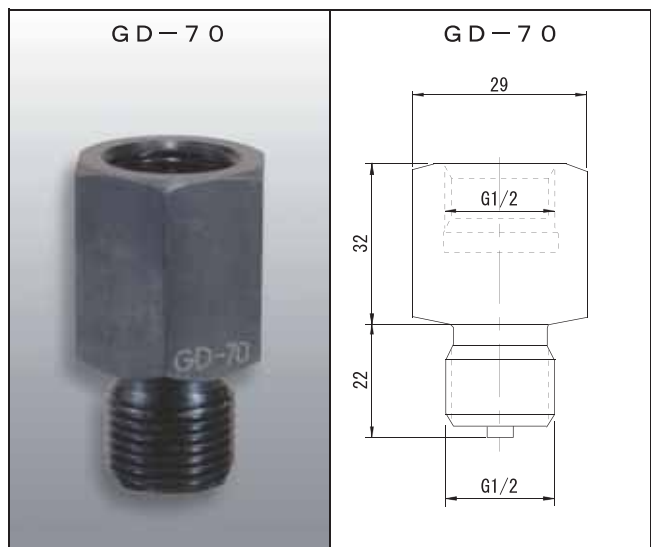


Gauge Damper

- Used to protect the pressure gauge when it is mounted to a circuit that has sudden pressure fluctuations.
- GD-70 : When pressure oil is filled in the pressure gauge, it flows freely, preventing a delay in the pointer when a pressure is applied. When the pressure is lowered, the pressure fluctuation is absorbed by a fixed orifice; it cannot be shut off fully.
- GD-1000 : The restricted amount of the circuit going toward the pressure gauge can be changed by an adjustment screw, and can be shut off fully.

■ Specification

Type	Maximum operating pressure (MPa)	Connection diameter (G)	Accessories	Weight (kg)
GD-70	70	1/2	S-111 included	0.2
GD-1000				0.4



Pressure Gauge Packing

- Has an O-ring in the internal circle of the iron ring, which receives no more tightening force than is necessary. Features great durability and packing performance.
- Used for mounting all Riken's pressure gauges and PCS type pressure switches.

■ Specification

Type	Maximum operating pressure (MPa)	Compatible thread size (G)	Packing material dimension
S-111	70	1/2	NBR P10

