


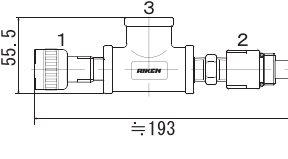

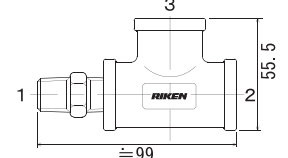

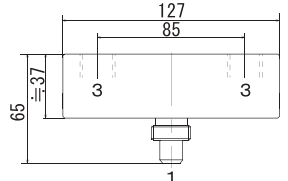

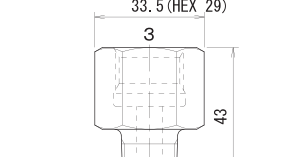

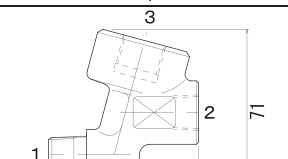

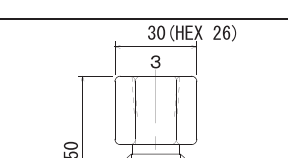
Mounting Brackets for Pressure Gauges

- Various mounting brackets for pressure gauges are available according to each application.
- T-1 to T-5 are used to mount all Riken's pressure gauges/switches (excluding SPS-7A/DPS-100).
- ※ Some standard pump models include the mounting brackets for pressure gauges. Check the details of each equipment.

■ Specification

Type	Maximum operating pressure (MPa)	Bore diameter and shape			Accessories S-111	Approximate weight (kg)	
		1	2	3			
T-1	70	S-1R coupler	S-1H coupler	G1/2	Equipped	0.9	
T-2		R3/8	Rc3/8			-	0.7
T-3		(Note 1)	-				0.2
T-4		R3/8	Rc3/8	-	0.7		
T-5		G1/2			-	Rc3/8	None

(Note 1) S-1H: No sheet-ball coupler

T-1		
T-2		
T-3		
T-4		
T-5		
T-6		

The pressure gauge packing S-111 is included.

The pressure gauge packing S-111 is included.

The pressure gauge packing S-111 is included.

The pressure gauge packing S-111 is included.

The pressure gauge packing S-111 is included.

Accessories

T-1

- Used in the middle of a circuit connected by an S-1 coupler.
- Attention should be paid because the coupler rotates under no load condition.

T-2

- Inserted in the circuit of Rc3/8 bore diameter, and normally used at the pump's outlet port.

T-3

- Mainly used for electric pumps and can mount a pressure gauge and switch in parallel.
- ⚠ The T-3 exclusive coupler **GS-1R** must be used when mounting T-3.

T-4

- This hardware converts Rc3/8 screws into G1/2 screws to allow a pressure gauge and switch to be mounted.

T-5

- Mainly connected to the outlet port of manual pumps for single-acting cylinders. The display of the pressure gauge inclines 105 deg from the axis of the pump's outlet port.

T-6

- Converts G1/2 screws to Rc3/8 screws. Should be used for pressure gauges with Rc3/8 screws, etc.