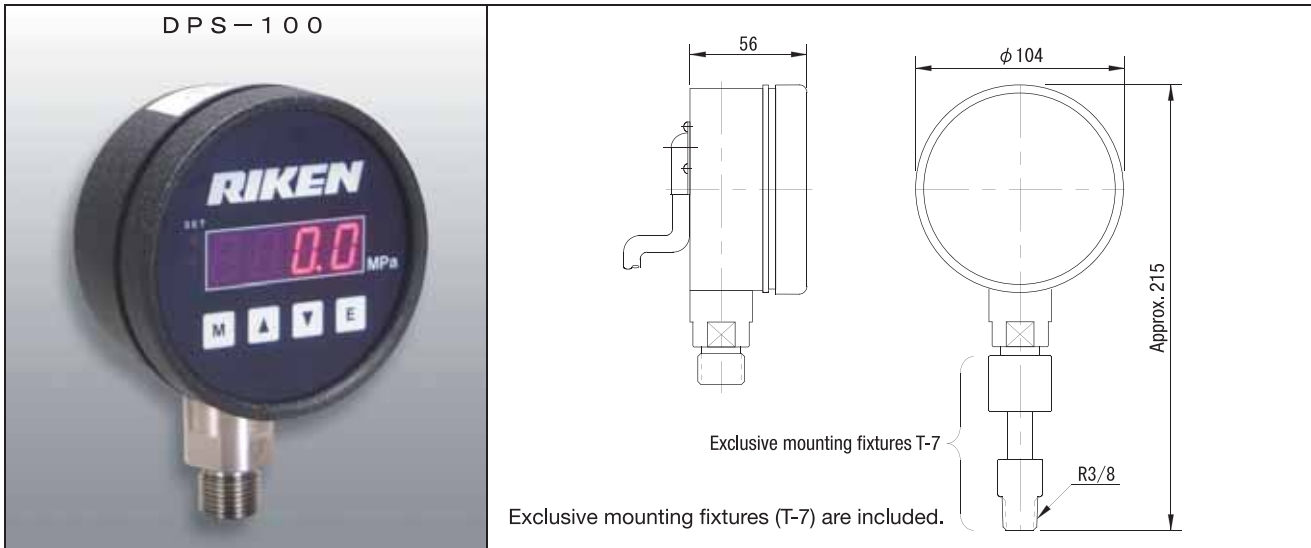
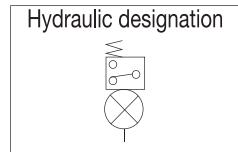


Digital Pressure Gauge

■DPS-100

- One digital pressure gauge acts as both pressure display and switch.
- Can be operated very easily just by the one-touch key on the body. A key lock function to prevent malfunction is also provided.
- The kN can also be displayed by a special function. (The display range is between 0 and 1999.)



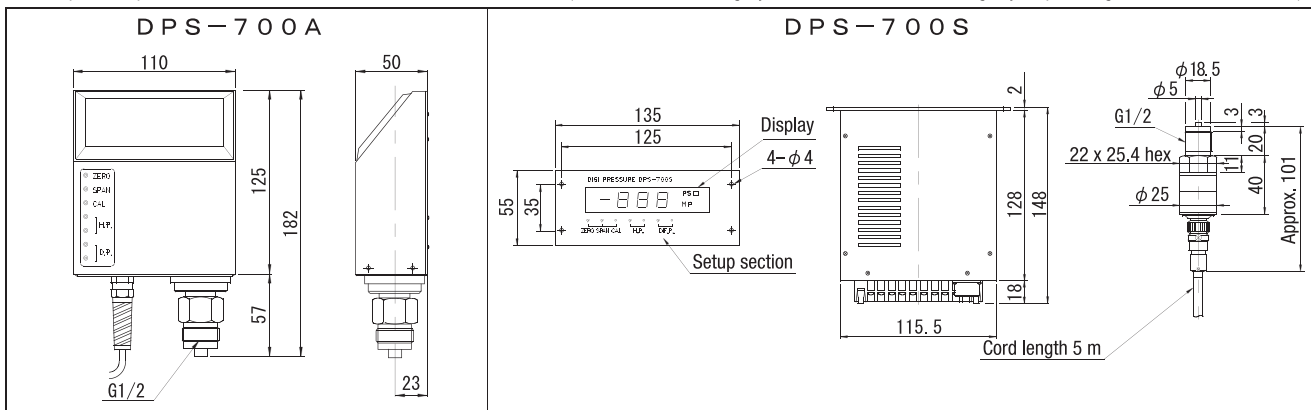
■Specification

Type	Maximum operating pressure (MPa)	Pressure range (MPa)	Differential pressure setting range (MPa)	Display speed	Display precision	Power supply (AC)	Contact capacity (switch)	Mounting screw diameter
DPS-100	70	0~100.0	0-99.9 of the preset pressure	2.5 times/sec	±1%F. S.	90-240V free	1A, 1B AC250V 8A	R3/8

▲ The pressure range must be kept at 70 MPa or below when the digital pressure gauge is used in manual/electric pumps for 70 MPa.

■DPS-700 Series

- One digital pressure gauge acts as both pressure display and switch.
- DPS-700S includes an analog output 0.7 V (at 70 MPa).
An optional, peak hold of the measured value can be mounted. (Since it is an analog system, the values differ slightly depending on the use condition.)



■Specification

Type	Maximum operating pressure (MPa)	Pressure range (MPa)	Differential pressure setting range (MPa)	Display speed	Display precision	Power supply	Contact capacity (switch)	Mounting screw diameter
DPS-700A-1	70	0~70	-0.3 - -14 of the preset pressure	4 times/sec	Within ± 0.3% F.S. ±2 digits	AC100V ± 15% 50/60Hz 15VA	1A, 1B AC250V 3A	G1/2
DPS-700A-2						AC200V ± 15% 50/60Hz 15VA		
DPS-700S-1						AC100V ± 15% 50/60Hz 15VA		
DPS-700S-2						AC200V ± 15% 50/60Hz 15VA		

- ※ DPS-700S-2 is available on request.
- ※ A droop of max. 1 digit per 2 to 3 seconds occurs.
- ※ A home position return switch of peak hold values isn't included.

Accessories