

# Control Box


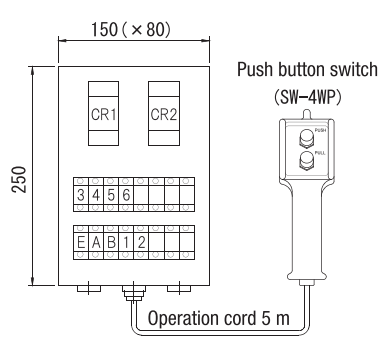
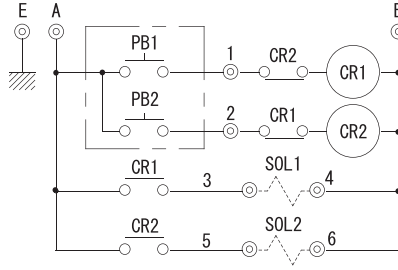
- Mainly used for MP-5/6/10/12/15SW electric pumps. Since a push button switch is set, the operation is easy by connecting with the solenoid valve. In addition, CBS-2 is used for package pumps.
- For fixing the control box to electric pumps, exclusive mounting fixtures are provided respectively.
- With the four-pole relay, it can be changed to another electric circuit.

**Description of the type**

**CBS-1**


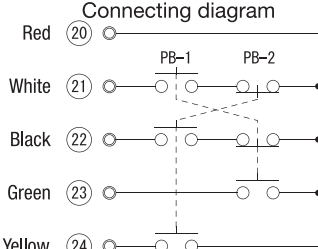
Control box

Voltage 1: AC100V  
2: AC200V

<p>CBS-1 (2)</p> 	<p>Dimension and layout</p> 	<p>Connecting diagram</p>  <p>Contact capacity : AC250V 3A Approximate weight : 2.8 kg</p>
--	---	---

# Push Button Switch


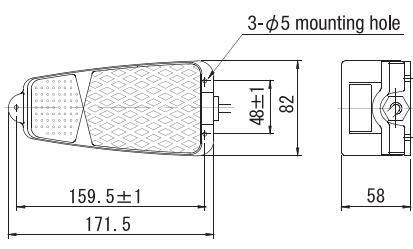
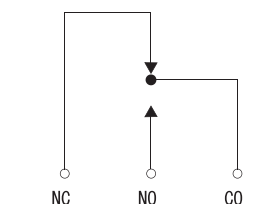

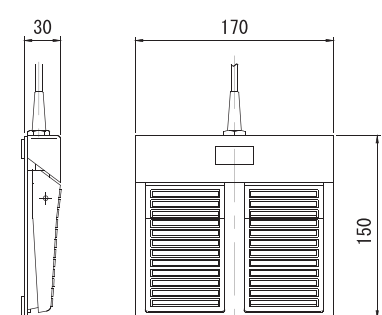
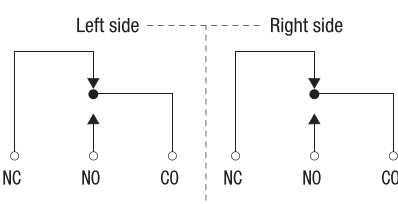
- A newly developed push button switch and used in the control box.
- An interlock circuit is incorporated in the switch itself.

<p>SW-4WP</p>  <p>Including a 3 m operation cord</p>	<p>Connecting diagram</p>  <p>Contact capacity : AC125V 6A or AC250V 3A Approximate weight : 0.2 kg</p>
---	--

Accessories

# Foot Switch

- Two types are available according to the applications.

<p>SF-1</p> 		<p>Connecting diagram</p>  <p>Contact capacity: AC250V 10A Weight : 0.4 kg</p>
<p>SF-2 B (Double type)</p> 		<p>Connecting diagram</p>  <p>Contact capacity: AC250V 6A Weight : 1.1 kg</p>