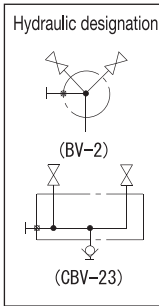


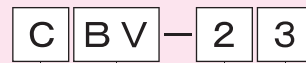
# Branch with Shutoff Valve

- Can open/close the individual outlets by providing shutoff valves to the branch for one circuit.
- The square branch incorporates a cartridge type stop valve (CV-13).  
 ※ Only the 3/8 type is available.  
 ※ V-13C is attached to the round branch.



## Description of the type

Maximum operating pressure 70 MPa



Cartridge type  
 Branch (shutoff valve)  
 No of outlets  
 Size

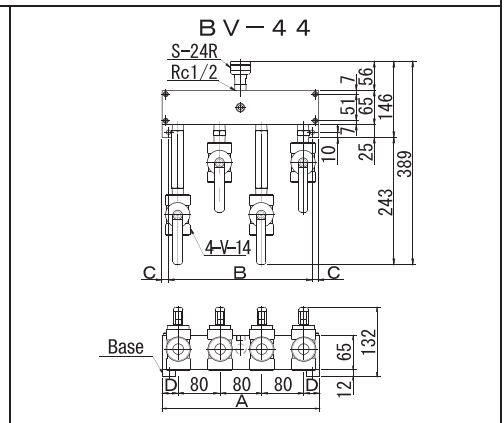
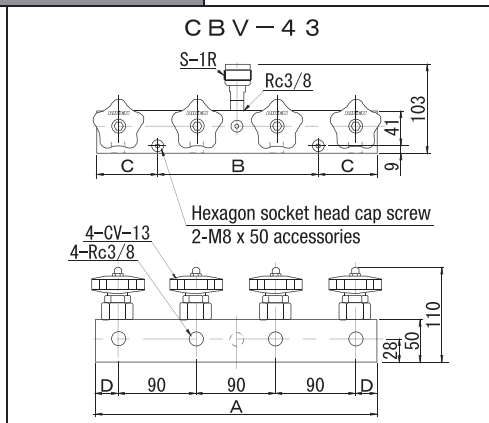
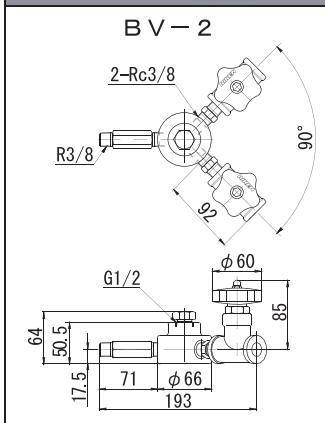
No mark : Rc3/8 (round type)  
 3 : Rc3/8  
 4 : Rc1/2

※ Only the square 3/8 type is the cartridge type.



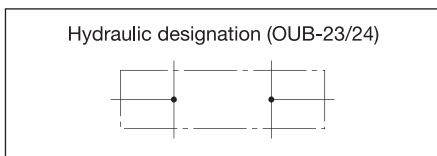
## Dimension list

Type	Dimension				Approximate weight (kg)
	A	B	C	D	
CBV-23	174	156	9	42	3.8
CBV-33	230	130	50	25	5.1
CBV-43	320	180	70	25	7.0
CBV-53	410	270	70	25	9.0
BV-24	140	115	12.5	30	8.5
BV-34	220	195	12.5	30	12.9
BV-44	300	275	12.5	30	17.3



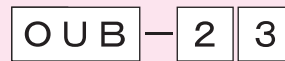
# Out Block

- One of the branches used at the piping end of hydraulic equipment etc.



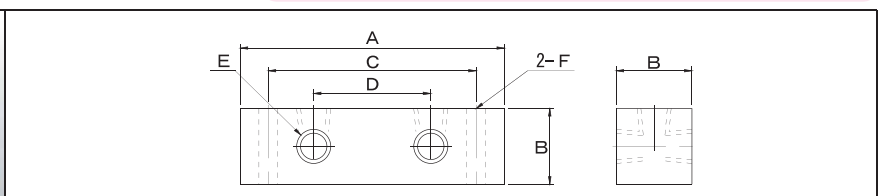
## Description of the type

Maximum operating pressure 70 MPa



Out block  
 No of outlets  
 Size

3 : Rc3/8  
 4 : Rc1/2



## Dimension list

Type	Dimension						Approximate weight (kg)
	A	B	C	D	E	F	
OUB-23	195	38	175	120	6-Rc3/8	φ9 opening	2.0
OUB-33	315		295		9-Rc3/8		3.3
OUB-24	195	50	175		6-Rc1/2		3.4
OUB-34	315		295		9-Rc1/2		5.6