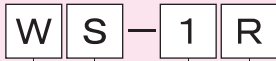


Couplers

Description of the type Maximum operating pressure 70 MPa

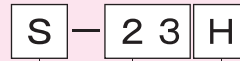


W : SUS-made water coupler
 O : SUS-made oil coupler
 N : Coupler w/o check
 G : Coupler exclusive to pressure gauge mounting fixtures T-3 (R coupler only)

S : Coupler
 Type — 1 : Thread size 3/8
 H : Hose side coupler
 R : Cylinder side coupler

No mark : Standard type

Description of the type Maximum operating pressure 70 MPa



S : Coupler
 Type — 23 : Thread size 3/8 (H coupler only)
 24 : Thread size 1/2
 3 : Thread size 1/2
 5 : Thread size 3/8
 6 : Thread size 3/4
 8 : Thread size 1
 H : Hose side coupler
 R : Cylinder side coupler

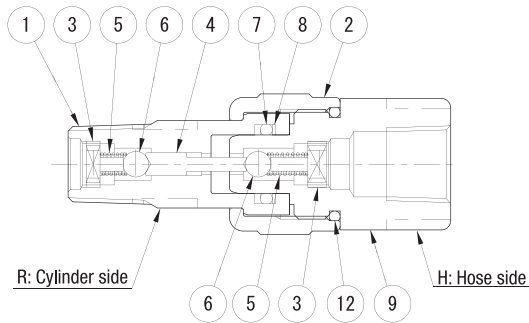
- Normally used to connect a cylinder and a high-pressure hose, and the H coupler is mounted to the hose side and the R coupler is mounted to the cylinder side.
- S-1/S-2/S-5 are self-sealing types (excluding the NS-1 type).
- Couplers with sizes appropriate for the discharge volume of each pump are available. Incorrect size could prevent acquiring a predetermined speed or cause a heat generation of the hydraulic oil and noise. See P. 159 for the details.
- All WS-1 type parts and only the outside of the OS-1 type use SUS.
- The NS-1 type should be used for boring process and a circuit with great shocks.
- The processed NPT threads are available only for the S-1 type. (Type: S-1R-NPT / S-1H-NPT)

Accessories

<p>S-1 R S-1 H</p>	<p>S-1 R</p>
<p>S-2 4 R S-2 3 H (2 4 H)</p>	
<p>S-3 R S-3 H</p>	<p>S-1 H</p>
<p>S-5 R S-5 H</p>	
<p>S-6 R S-6 H</p>	<p>S-2 4 R</p>
<p>Hydraulic designation (connected status)</p> <p>S-1 • 2 • 5 S-3 • 6 • 8</p>	
	<p>S-2 3 H (2 4 H)</p> <p>The figures in brackets show the dimensions of S-24H.</p>

Couplers

S-1/S-2 types structural drawing

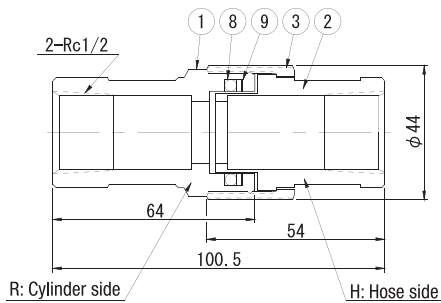


■ Part list

No.	Part name	No.	Part name
1	R side coupler body	6	Steel boll
2	Cap nut	7	O-ring※
3	Spring setscrew	8	Backup ring
4	Ball push rod	9	H side coupler body
5	Spring	12	O-ring (S-1H only)

※ S-1R AN6227 #10
S-24R AN6227 #12

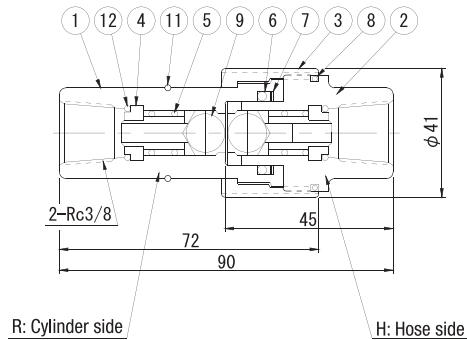
S-3 type structural drawing



■ Part list

No.	Part name
1	R side (cylinder side) coupler body
2	H side (hose side) coupler body
3	Cap nut (M36 x 1.5)
8	O-ring (P-24)
9	Backup ring

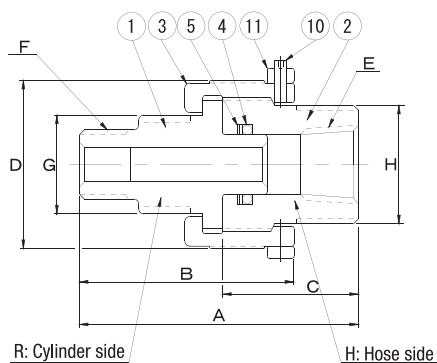
S-5 type structural drawing



■ Part list

No	Part name	No	Part name
1	R side coupler body	7	Backup ring
2	H side coupler body	8	O-ring (G-25)
3	Cap nut (M36 x 1.5)	9	Steel ball
4	Ball hold	11	Spring ring
5	Spring	12	Retainer ring
6	O-ring (P-20)		

S-6/S-8 type structural drawing



■ Dimension list

	S - 6	S - 8
A	110	120
B	85.5	95
C	50	50
D	φ 68	φ 83
E	Rc3/4	Rc1
F	R3/4	R1
G	Width across flats 36	Width across flats 46
H	Width across flats 41	Width across flats 51

■ Part list

No	Part name
1	R coupler body
2	H coupler body
3	Cap nut S-6 (M52 x 2) S-8 (M65 x 2)
4	O-ring S-6 (P-24) S-8 (P-30)
5	Backup ring
10	Loosening-proof screw
11	Nut