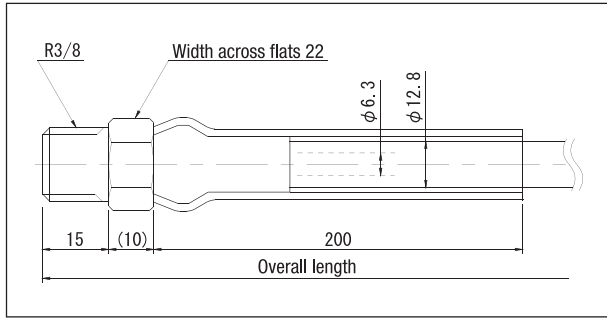
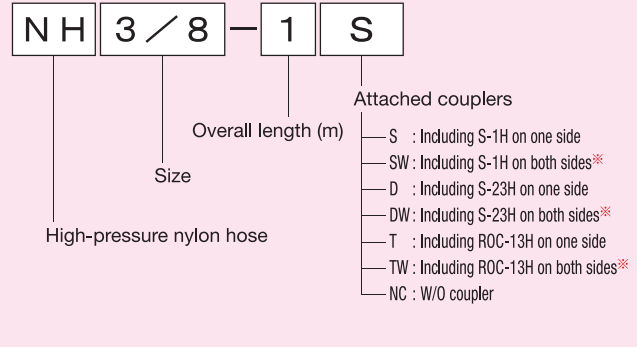


# High-Pressure Nylon Hose

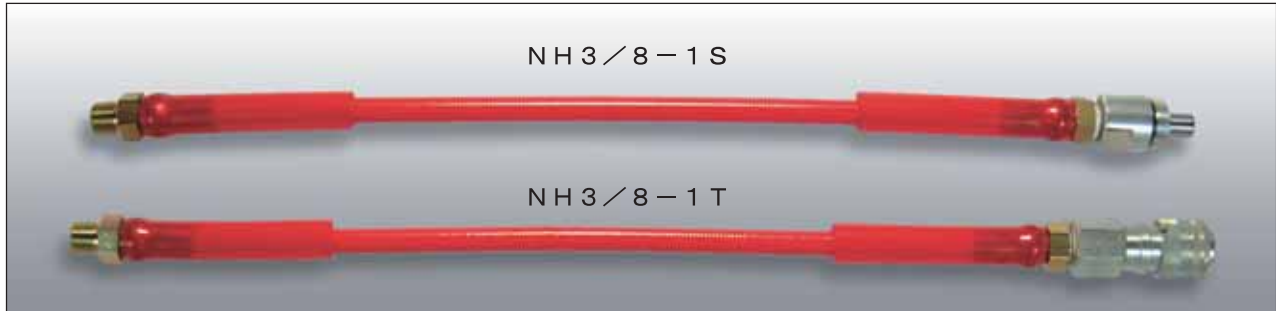
- Within half of the weight of a rubber hose.
- The R (male) hardware is attached to both ends, and basically the H side coupler is mounted to one side.
- Only the size of 3/8 is available.
- An SUS-made metal specification can also be manufactured (see P. 200).



## Description of the type



※The hoses marked with “※” will be shipped after filling the hydraulic oil to the hose unless otherwise specified. (Notice us in advance when you use a different fluid.)



## ■ Specification

Maximum operating pressure (MPa)	Operating temperature range (°C)	Hydraulic oil used	Material	Hose diameter φ	Capacity (cm <sup>3</sup> /m)	Expanded volume (cm <sup>3</sup> /m)	Minimum bend radius (mm)	Approximate weight (kg/m)
70	-40~80	General hydraulic oil Ester phosphate base	Nylon	Inner diameter : 6.3 mm Outside diameter : 12.8 mm	31.2	4.3	60	0.21

※The weight only includes the hose weight, not including the hardware on both ends and protective cover.

## ■ Hose types/length, compatible pumps, and cylinder

Type	Standard overall length (m)	Compatible pump	Cylinders compatible with couplers attached to the hose
NH3/8-※S	0.5, 1, 1.5, 2, 3 4, 5, 6, 10, 15	General manual pumps SMP-30~MP-10 MP-12H, 15H, 17H	40 – 1000 kN single-acting, 40 – 350 kN double-acting
NH3/8-※D			500 – 2000 kN double-acting
NH3/8-※T			50 – 200 kN M thread single-acting, double-acting

※When the couplers of the hose and the cylinder aren't fitted, the cylinder coupler should be replaced.  
 ※We will also manufacture hoses with the overall length other than those above. (Production by order)

New Product

## Anti-Spatter Hose (Production by order)

- A hose in which a new material which rejects a weld spatter is wrapped around the exterior of the high-pressure nylon hose described above.
- The cap is made of SUS.
- Please specify the overall length required in meters.
- Only the size of 3/8 is available.
- A coupler isn't included. See P. 157 and notice us the presence and the types of the couplers.



## Description of the type

