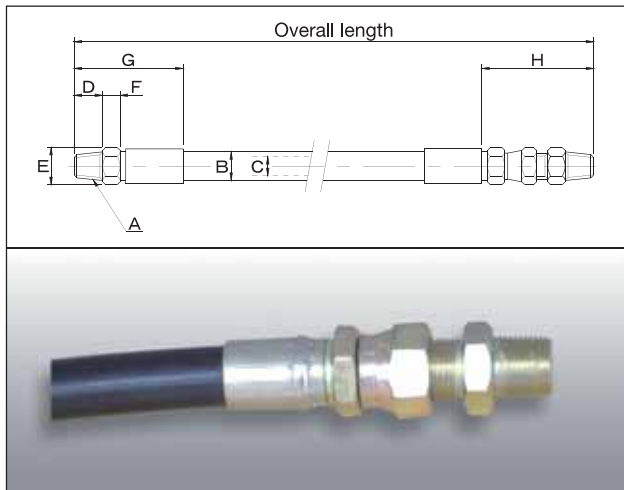


# Low-Pressure Hose

- A return exclusive hose to be piped from each valve to the pump's tank port.
- One end has an R male thread and the other end has an R male thread with a flexible cap nut, and no coupler is required.



**Description of the type**

**L 3 / 8 - 1**

Low-pressure hose

Size : 3/8  
1/2  
3/4 (Production by order)  
8/8 (Production by order)

Overall length

- 0.3m
- 0.5m
- 1m
- 2m
- 3m
- 6m
- 10m

※0.3 m and 0.5 m is only available with the 3/8 size.  
 ※The sizes of 1/2 or larger are available with the length of 1 m or longer.

### ■ Specification

Maximum operating pressure (MPa)	Operating temperature range (°C)	Hydraulic oil used	Material
3, 5	-20~70	General hydraulic oil	NBR

### ■ Dimension list

Type	Bore diameter A	Outside diameter φB mm	Inner diameter φC mm	Thread length D	Width across flats E	Hex head length F	Cap length G	Cap nut length H	Rated flow rate L/min
L3/8-*	R3/8	16.2	9.5	15	22	6.0	50	55	30
L1/2-*	R1/2	19.5	12.7	18	27	8.0	59	66	50
L3/4-*	R3/4	29.3	19.0	20	36	10	70	75	100
L8/8-*	R1	35.7	25.4	22	41	10	77	85	170

Accessories

# Riken Power Oil

- Hydraulic oil is a fluid used in the hydraulic equipment as a medium to transmit power. It also has lubrication, rust-proof, and water-cooling functions.
- To exert the performances of the hydraulic equipment to a maximum extent, the selection and management of the hydraulic oil is important.
- Riken's genuine power oil uses the mineral oil based hydraulic oil as the standard specification.

\* Consult us when hydraulic oil for cold places, or flame-retardant hydraulic oil (fatty acid ester base, water-glycol base, and ester phosphate base) is used. It is required to confirm whether the oil can be used or not.  
 \* See P. 203 for the list of hydraulic oil of each major manufacturer.

**Description of the type**

**O I L - 0 5 - 3 2**

Capacity

- 05 : 0.5L
- 2 : 2L
- 18 : 18L

Viscosity grade

- 32
  - Manual pumps
  - 70 MPa Electric pumps (MP-15 or smaller)
  - 70 MPa Hydraulic pumps
- 46 (only 20 L can)
  - 70 MPa Electric pumps (MP-17 or larger)
  - 200 MPa Electric pumps
  - 200 MPa Hydraulic pumps

