

Various Types of Joints

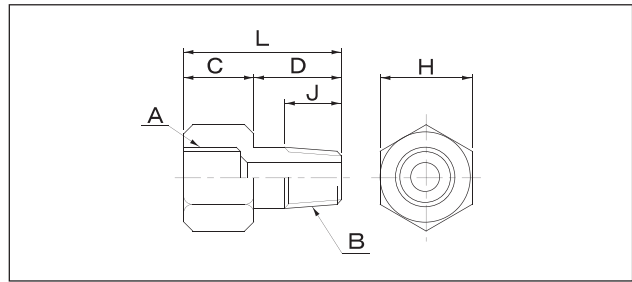
High-Pressure Male-and-Female Sockets

Description of the type Maximum operating pressure 70 MPa

FMS — **1 / 4** × **3 / 8**

A: Female thread diameter
B: Male thread diameter

High-pressure male-and-female sockets



Type	FMS- 1/4 × 3/8	FMS- NPT1/4 × R3/8	FMS- 3/8 × 1/4	FMS- Rc3/8 × NPT1/4	FMS- 3/8 × 3/8	FMS- Rc3/8 × NPT3/8	FMS- NPT3/8 × R3/8
A	Rc1/4	NPT1/4	Rc3/8	Rc3/8	Rc3/8	Rc3/8	NPT3/8
B	R3/8	R3/8	R1/4	NPT1/4	R3/8	NPT3/8	R3/8
C	25	25	25	25	25	25	25
D	20	20	25	25	25	25	25
L	45	45	50	50	50	50	50
H	26	26	26	26	26	26	26
J	12	17	16	14	16	17	16

Type	FMS- 3/8 × 1/2	FMS- 1/2 × 3/8	FMS- 1/2 × 1/2	FMS- 3/8 × 3/4	FMS- 3/8 × 8/8	FMS- 1/2 × 3/4	FMS- 3/4 × 1/2
A	Rc3/8	Rc1/2	Rc1/2	Rc3/8	Rc3/8	Rc1/2	Rc3/4
B	R1/2	R3/8	R1/2	R3/4	R8/8	R3/4	R1/2
C	25	30	30	25	25	30	37
D	25	25	35	30	30	30	25
L	50	55	65	55	55	60	62
H	26	32	29	32	46	32	41
J	18	16	18	20	24	20	18

Type	FMS- 1/2 × 8/8	FMS- 8/8 × 1/2	FMS- 3/4 × 8/8	FMS- 3/4 × 8/8L	FMS- 8/8 × 3/4	FMS- 8/8 × 8/8	FMS- 8/8 × 8/8L
A	Rc1/2	Rc8/8	Rc3/4	Rc3/4	Rc8/8	Rc8/8	Rc8/8
B	R8/8	R1/2	R8/8	R8/8	R3/4	R8/8	R8/8
C	30	50	35	110	50	50	110
D	30	25	30	50	30	30	50
L	60	75	65	160	80	80	160
H	46	55	46	46	54	54	54
J	24	18	24	24	20	24	24

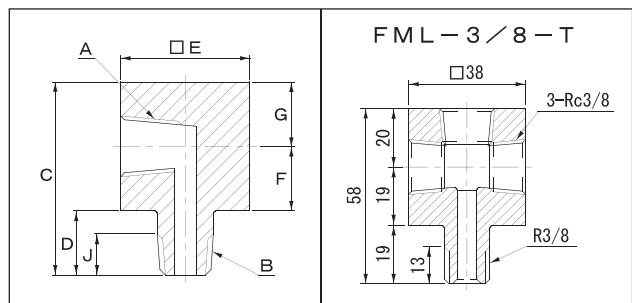
High-Pressure Male-and-Female Square Elbow

Description of the type Maximum operating pressure 70 MPa

FML — **3 / 8** × **1 / 4**

A: Female thread diameter
B: Male thread diameter

High-pressure male-and-female square elbow



Type	FML-3/8 × 1/4	FML-3/8 × 3/8	FML-3/8 × 3/8L	FML-3/8 × 1/2	FML-1/2 × 1/2
A	Rc3/8	Rc3/8	Rc3/8	Rc3/8	Rc1/2
B	R1/4	R3/8	R3/8	R1/2	R1/2
C	46	48	63	51	57
D	18	20	35	23	25
E	28	28	28	28	32
F	14	14	14	14	16
G	14	14	14	14	16
J	12	16	16	18	18