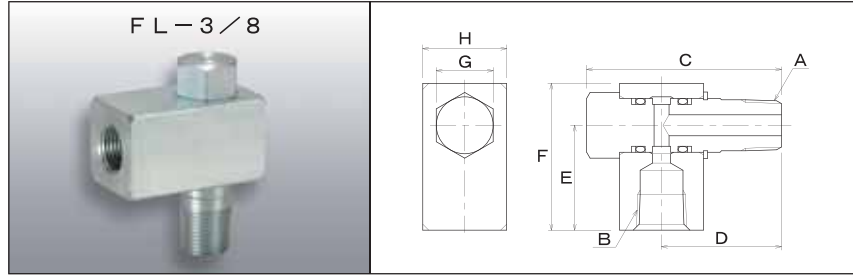
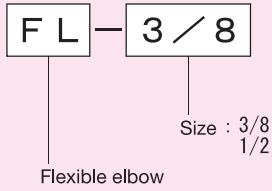


# Various Types of Joints

## Flexible Elbow

● Joints for rotation under no-load condition

Description of the type

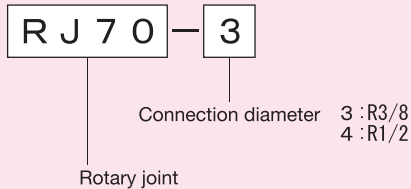


## Specification

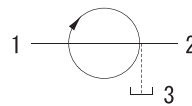
Type	Maximum operating pressure (MPa)	Rated flow rate (L/min)	A	B	C	D	E	F	G	H	Approximate weight (kg)
FL-3/8	70	15	R3/8	Rc3/8	65	40	35	49	19	28	0.3
FL-1/2		20	R1/2	Rc1/2	75	45	40	56	23	32	0.5

## Rotary Joint

Description of the type



Hydraulic designation



RJ 70 - 3

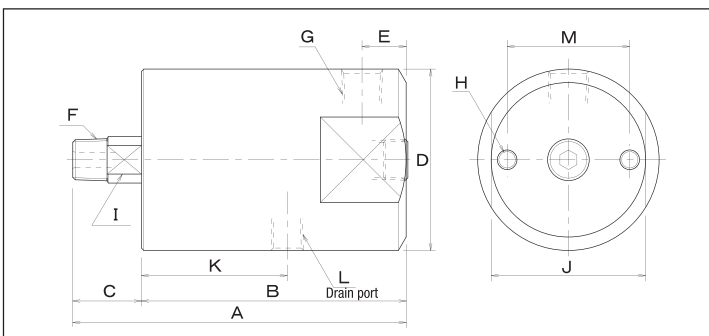
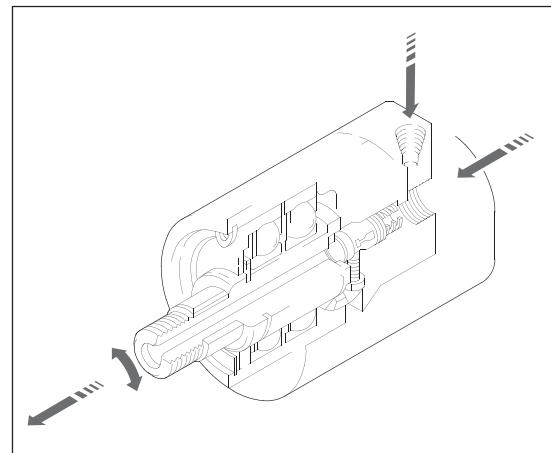


- A rotary joint adopting a mechanical balance system with an innovative sealing mechanism.
- Very low torque required for the rotation. Has a great sealing function and durability.
- Very little leak occurs thanks to the carefully finished sealing surface, but a drain must be provided.
- Used for the rotating bodies such as hose reels and machining centers or oscillating parts such as piping connections and loading arms.

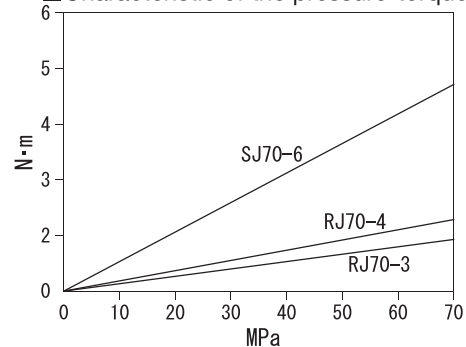
## Specification

Type	Maximum operating pressure (MPa)	Rated flow rate (L/min)	Maximum speed (rpm)	Connection diameter	Approximate weight (kg)
RJ70-3	70	15	300	R3/8	3.6
RJ70-4		20		R1/2	3.6
SJ70-6		30	30	R3/4	4.2

※SJ70-6 is exclusive to oscillating parts and available on request.  
 ※The drain port should be connected directly to the tank.



## Characteristic of the pressure-torque



## Dimension list

Type	A	B	C	φD	E	F	G	H	I	J	K	L	M
RJ70-3	136	108	28	74	18	R3/8	Rc3/8	M8	15	63	59.5	Rc1/4	50
RJ70-4	141	108	33	74	18	R1/2	Rc1/2	M8	21	63	59.5	Rc1/4	50
SJ70-6	150	113	37	78	23	R3/4	Rc3/4	-	26	70	59.5	Rc1/4	-