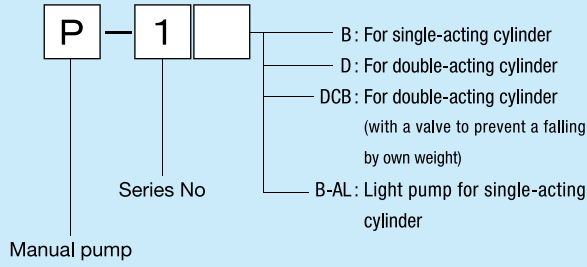


# Manual Pump

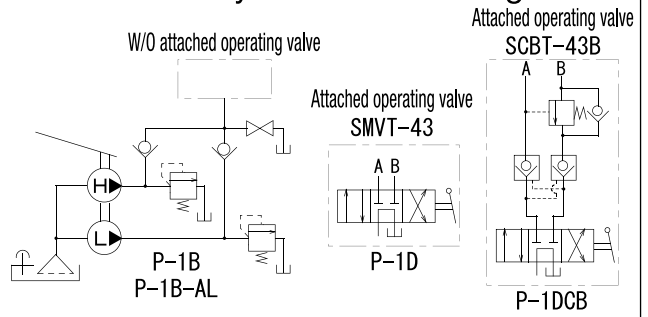
## ■ P-1 Series

※P-1DCB is available on request.

### Description of the type



### P-1 series hydraulic circuit diagram



P-1B



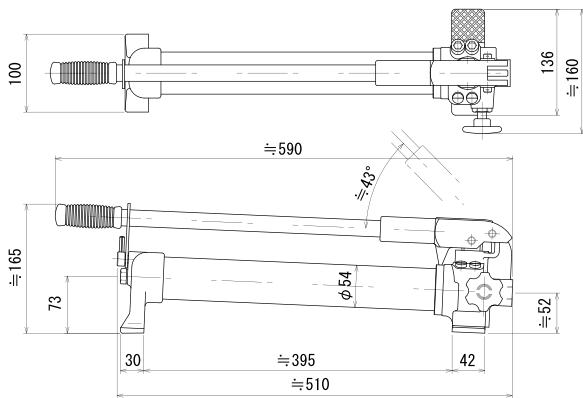
P-1B-AL



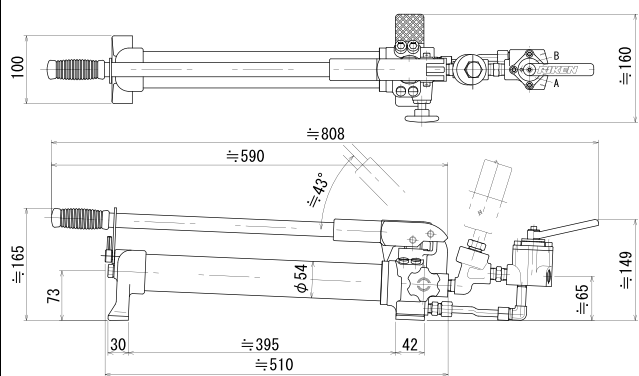
## ■ Specification

| Type    | Maximum operating pressure (MPa) |              | Discharge volume (cm <sup>3</sup> /stroke) |                 | Outlet port (Rc) | Tank oil level (cm <sup>3</sup> ) | Effective oil level (cm <sup>3</sup> ) | Lever load (kg) | Approximate weight (kg) | Attached operating valve |
|---------|----------------------------------|--------------|--|-----------------|------------------|-----------------------------------|--|-----------------|-------------------------|--------------------------|
|         | High pressure                    | Low pressure | At high pressure                           | At low pressure |                  |                                   |  |                 |                         |                          |
| P-1B    | 70                               | 2            | 2.3  | 13.0            | 3/8              | 700                               | 600                                    | 54.5            | 7.0                     | -                        |
| P-1D    |                                  |              |  |                 |                  |                                   |  |                 | 9.0                     | SMVT-43                  |
| P-1DCB  |                                  |              |  |                 |                  |                                   |  |                 | 11.0                    | SCBT-43B                 |
| P-1B-AL |                                  |              |  |                 |                  |                                   |  |                 | 4.8                     | -                        |

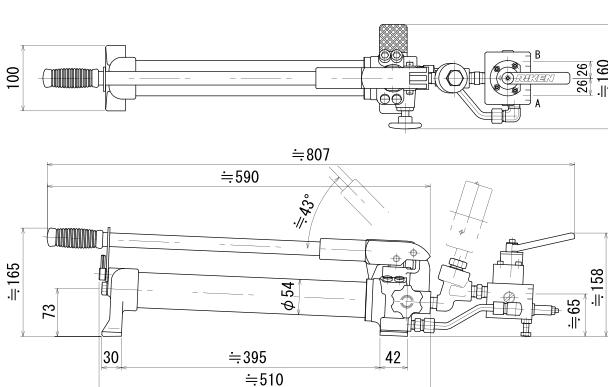
P-1B



P-1D



P-1DCB



P-1B-AL

