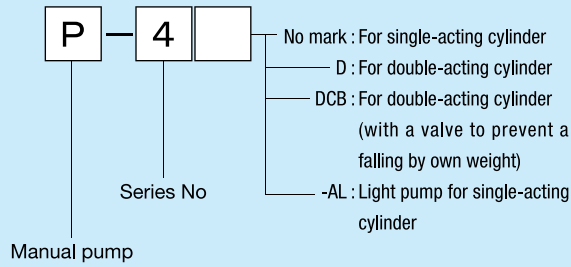


Manual Pump

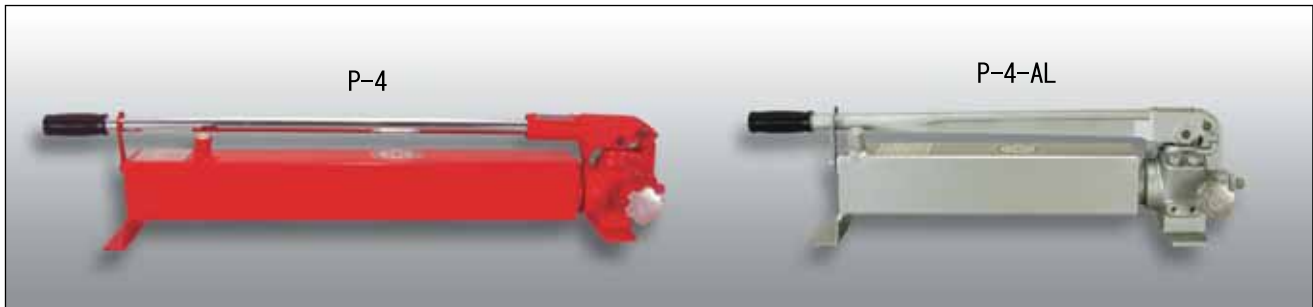
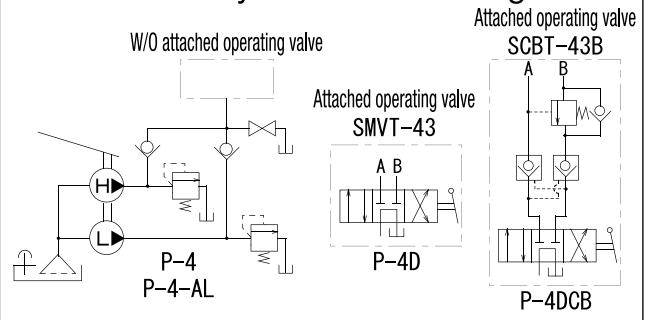
■ P-4 Series

※P-4DCB is available on request.

Description of the type

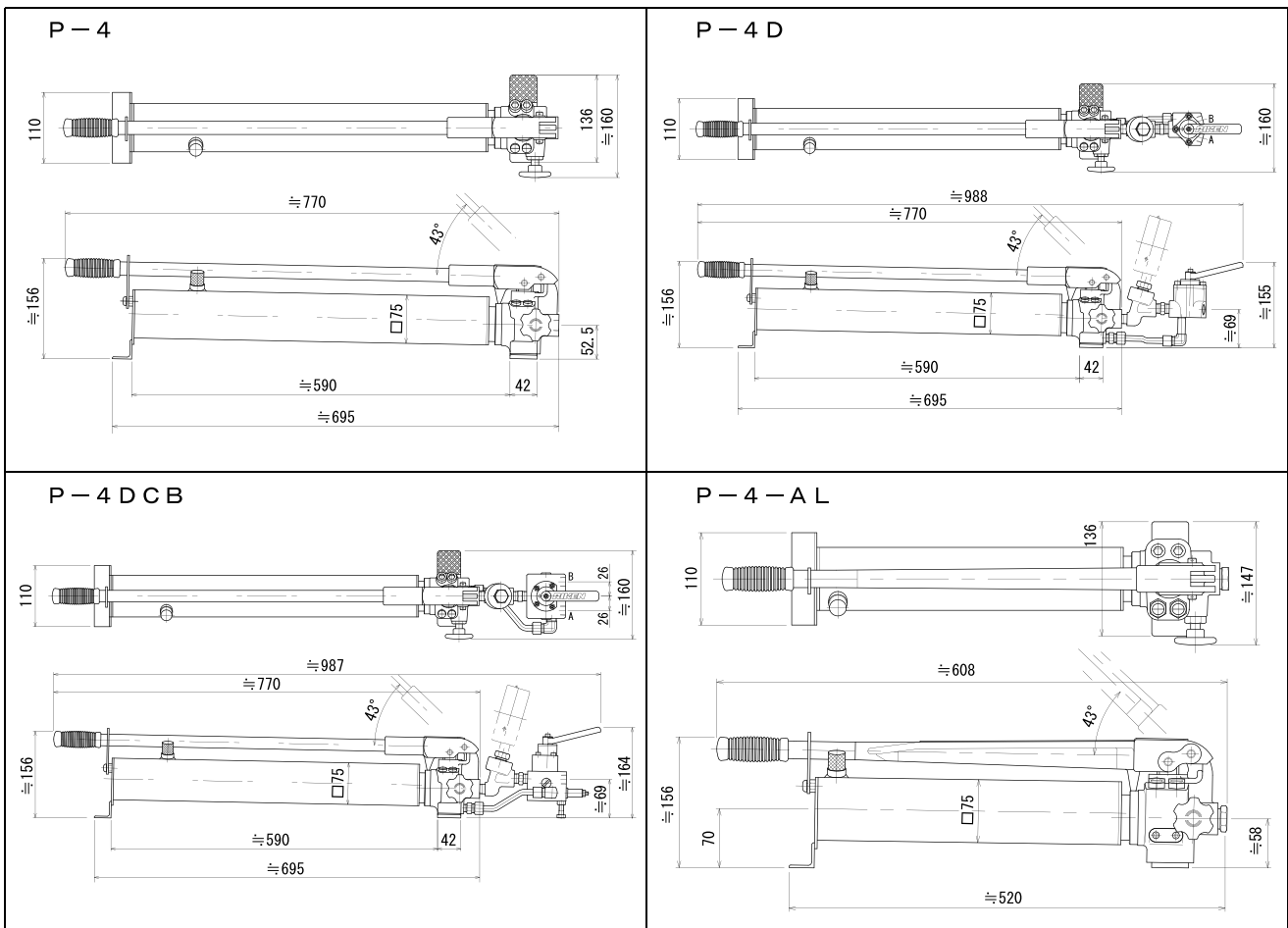


P-4 series hydraulic circuit diagram



■ Specification

Type	Maximum operating pressure (MPa)		Discharge volume (cm ³ /stroke)		Outlet port (Rc)	Tank oil level (cm ³)	Effective oil level (cm ³)	Lever load (kg)	Approximate weight (kg)	Attached operating valve
	High pressure	Low pressure	At high pressure	At low pressure						
P-4	70	2	2.3	13.0	3/8	2500	1800	34.5	11.5	-
P-4D									13.5	SMVT-43
P-4DCB									15.5	SCBT-43B
P-4-AL									6.3	-
						1500	1200	54.5	6.3	-



Hydraulic Pumps