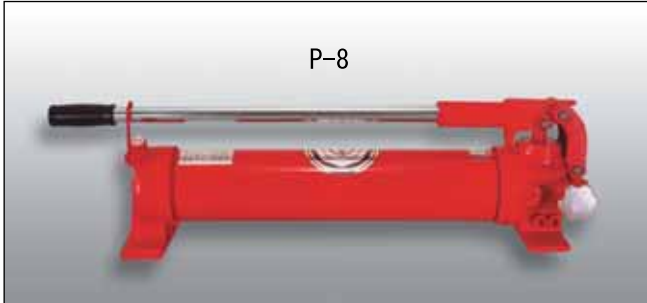
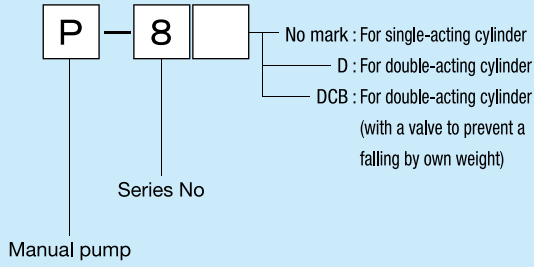


# Manual Pump

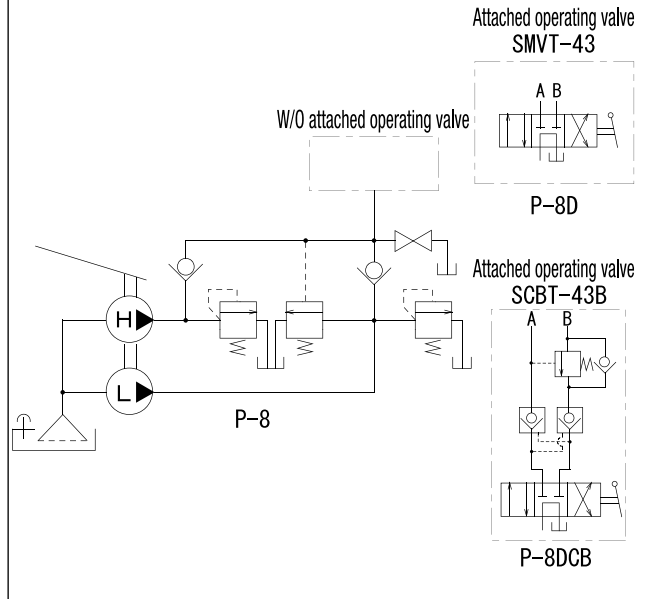
## ■ P-8 Series

※P-8DCB is available on request.

### Description of the type

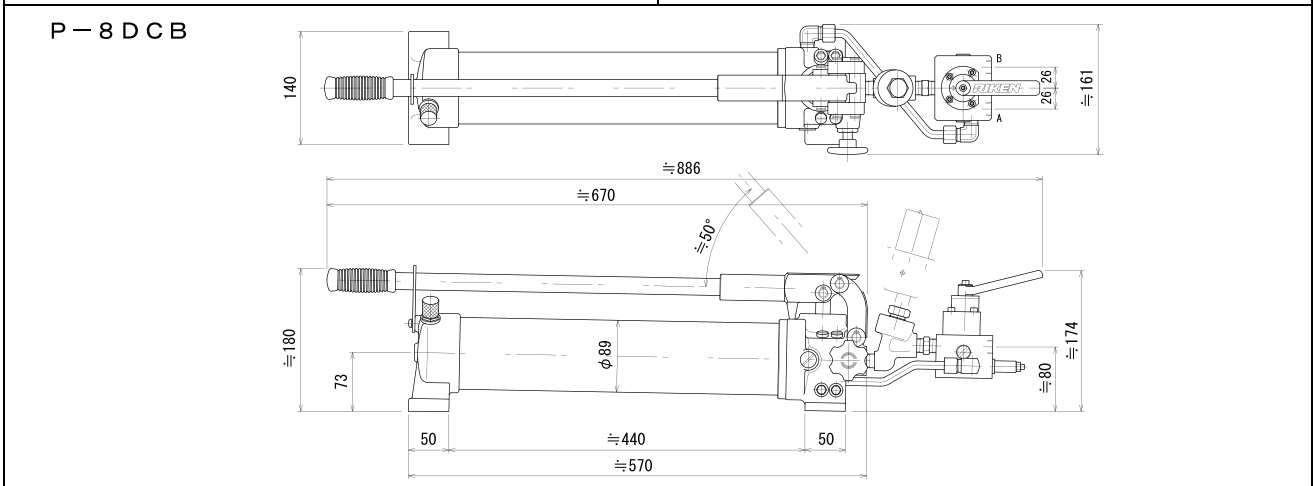
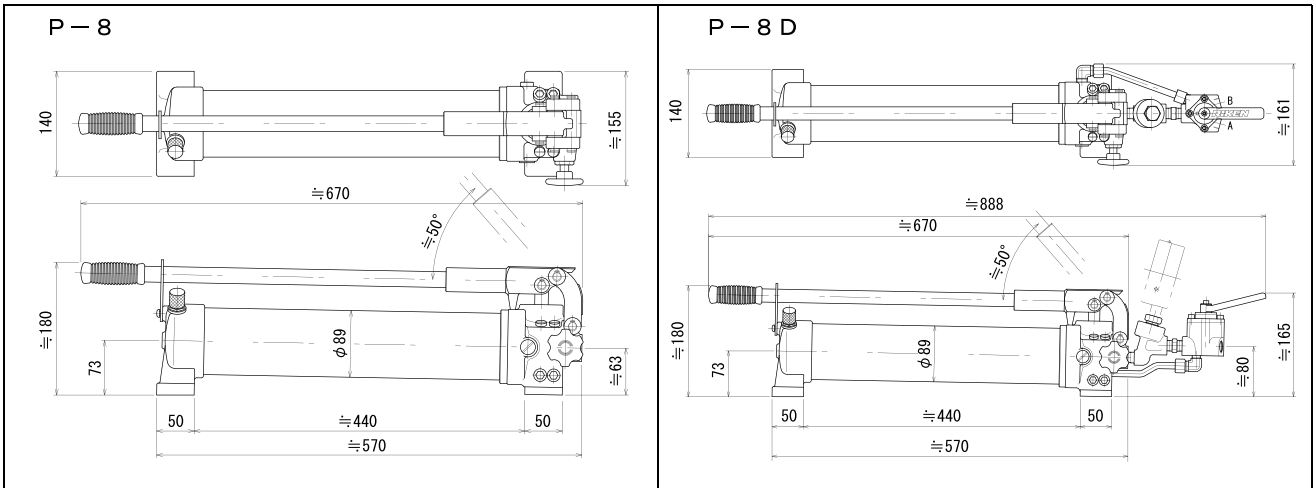


### P-8 series hydraulic circuit diagram



## ■ Specification

Type	Maximum operating pressure (MPa)		Discharge volume (cm <sup>3</sup> /stroke)		Outlet port (Rc)	Tank oil level (cm <sup>3</sup> )	Effective oil level (cm <sup>3</sup> )	Lever load (kg)	Approximate weight (kg)	Attached operating valve
	High pressure	Low pressure	At high pressure	At low pressure						
P-8	70	2	3.1	31.0	3/8	2100	1800	47.0	13.5	-
P-8D										SMVT-43
P-8DCB										SCBT-43B



Hydraulic Pumps