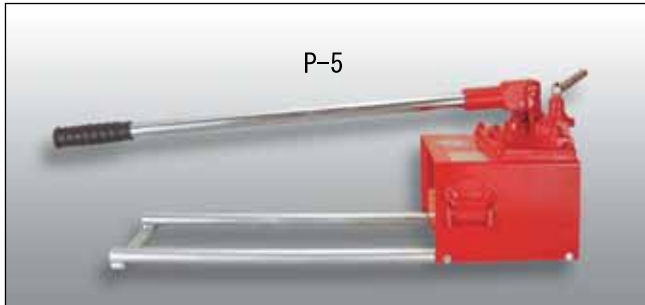
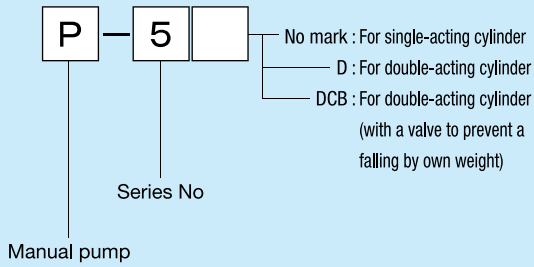


Manual Pump

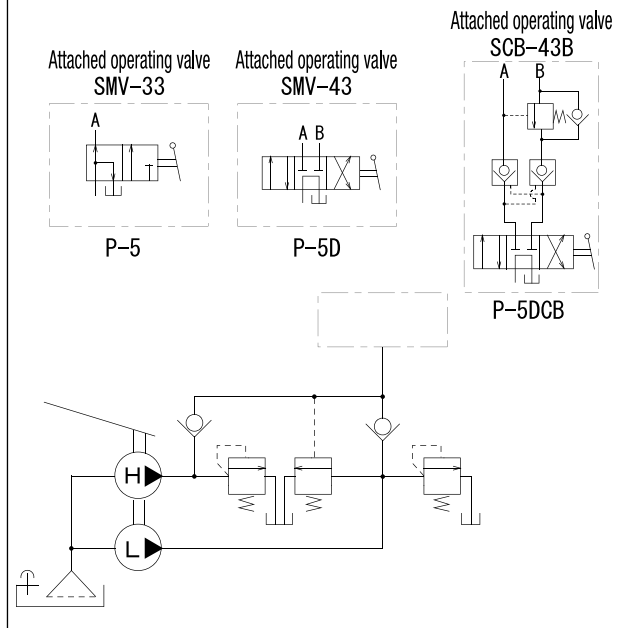
■ P-5 Series

※P-5DCB is available on request.

Description of the type



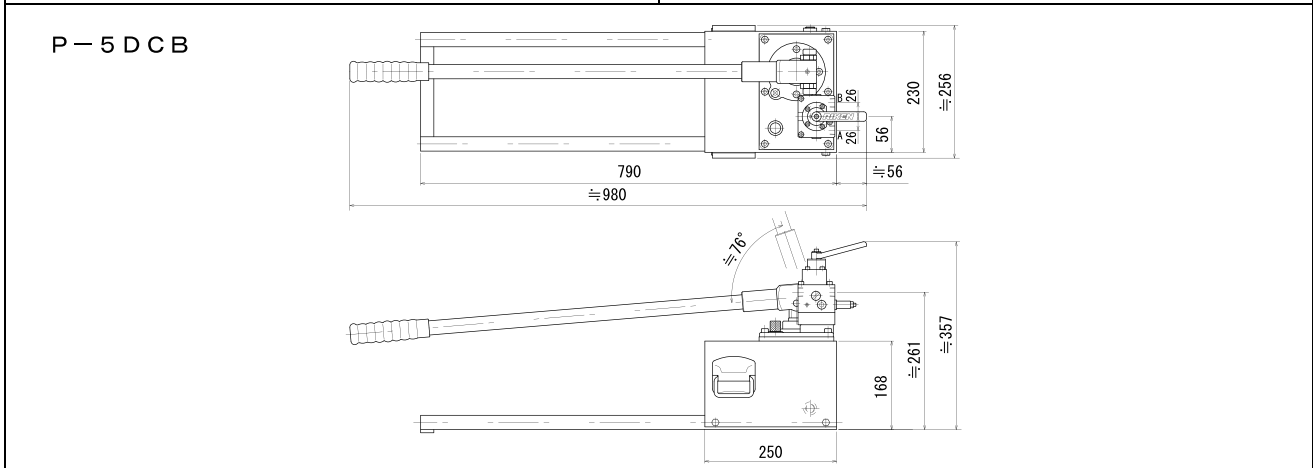
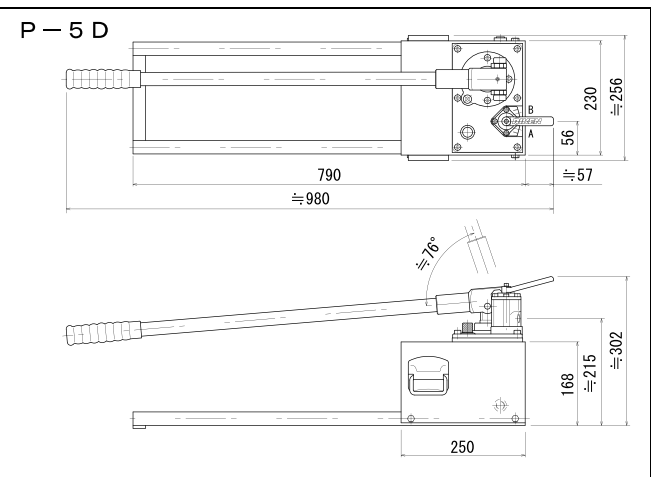
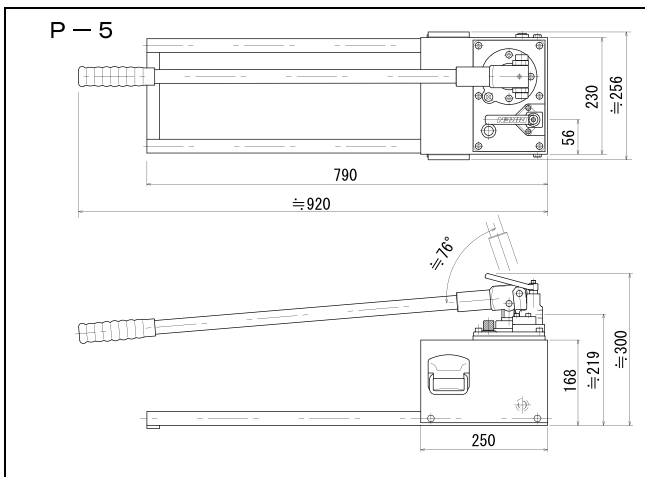
P-5 series hydraulic circuit diagram



Hydraulic Pumps

■ Specification

Type	Maximum operating pressure (MPa)		Discharge volume (cm ³ /stroke)		Outlet port (Rc)	Tank oil level (cm ³)	Effective oil level (cm ³)	Lever load (kg)	Approximate weight (kg)	Attached operating valve
	High pressure	Low pressure	At high pressure	At low pressure						
P-5	70	3	6.1	90.0	3/8	6000	5000	52.0	26.0	SMV-33
P-5D										SMV-43
P-5DCB										SCB-43B



※A separate special plate (optional) is required to mount a pressure gauge to the P port.