

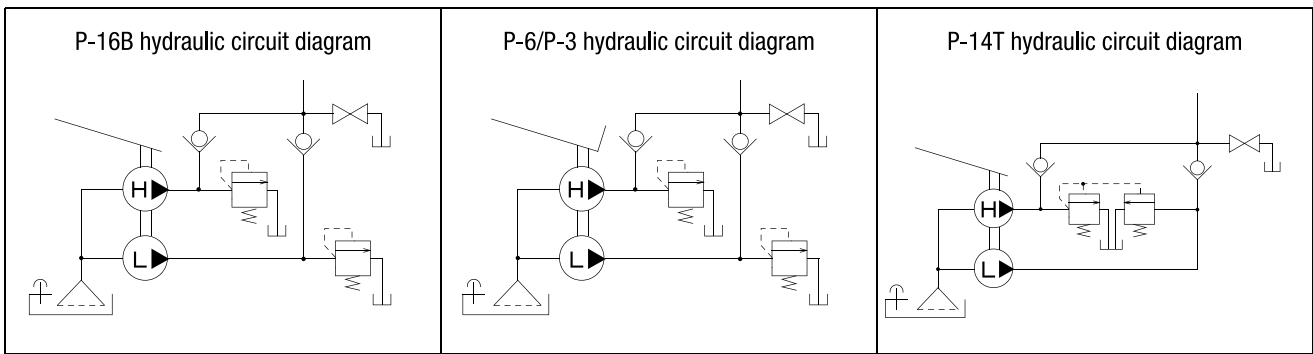
Manual and Foot Pumps (for single-acting cylinder)

■ Specification

Type	Maximum operating pressure (MPa)		Discharge volume (cm ³ /stroke)		Outlet port (Rc)	Tank oil level (cm ³)	Effective oil level (cm ³)	Lever load (kg)	Approximate weight (kg)
	High pressure	Low pressure	At high pressure	At low pressure					
P-16B	70	2	1.0	5.0	3/8	280	220	27.0	3.1
P-6			1.9	10.8		800	550	72.0	8.3
P-3			1.7	9.5		300	170	58.0	8.0
P-14T	40	7	5.1	25.0		6000	5500	20.0	23.0
P-14			-	-		-	-		10.0

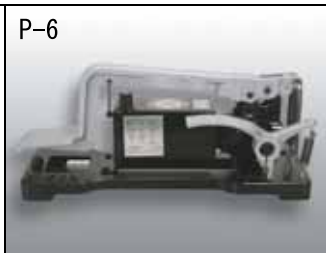
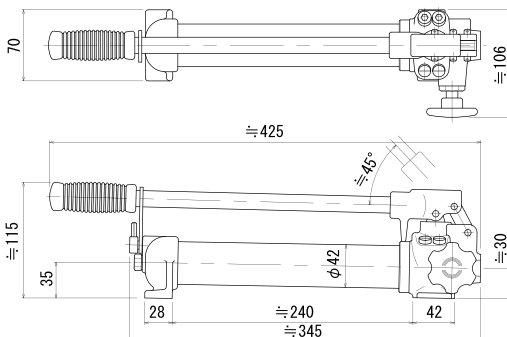
※The P-14 type doesn't include an oil tank.

※The discharge volume of the P-14(T) type shows the discharge volume for one lever reciprocation.



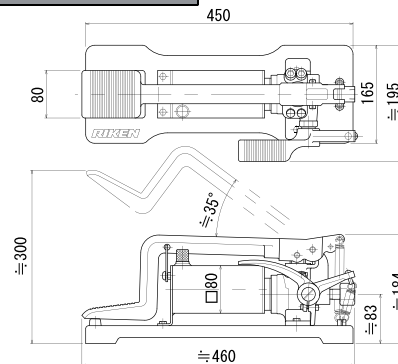
P-16B

● Used for a small-size cylinder, mini press set, port punch, and others because a small quantity of oil is used for the tank.



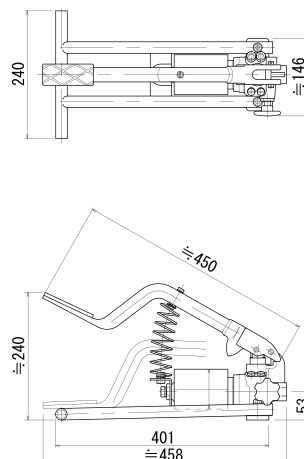
P-6

● A large quantity of light alloy is used to reduce the weight. All operations can be controlled with the feet, leaving the hands free for work.



P-3

● Used for a small-size cylinder or other special applications because a small quantity of oil is used for the tank. Mainly used for gas pressure welding.



P-14T

● A double-acting system and the piston discharges both ways. The P-14 type (without oil tank) can be installed both vertically and horizontally. Therefore, an appropriately oil tank for the equipment should be installed.

