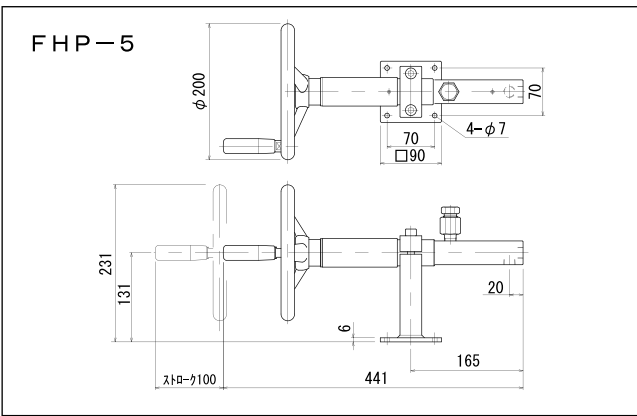
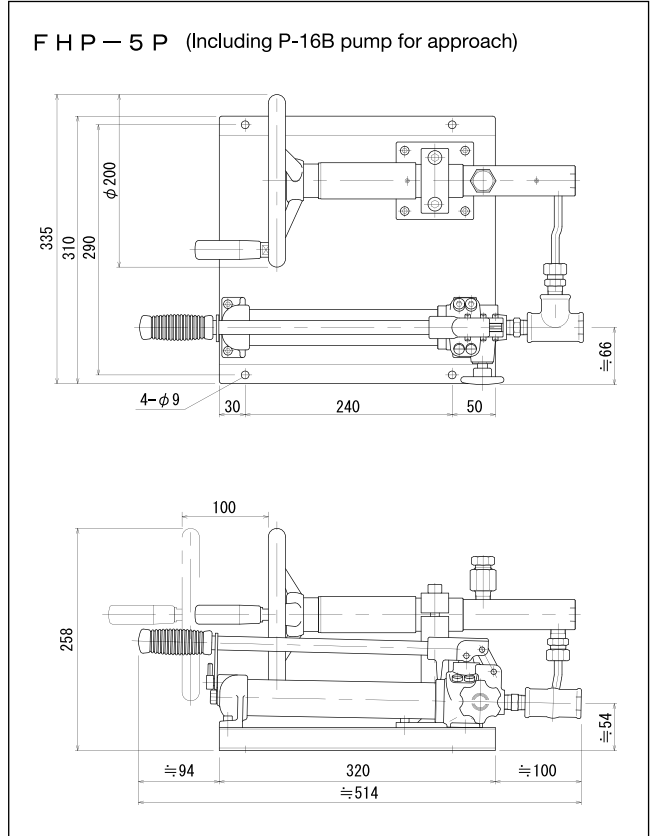


Slight-Discharge Manual Pump

■FHP-5 series

- Most common electric and manual pumps increase the discharge volume to improve the speed and work efficiency. On the contrary, this pump makes the discharge volume extremely small so that the pressure can be controlled very precisely and easily.
- We can also manufacture pumps having specifications other than those listed below including the stroke and discharge volume. Please consult us.

Type	Maximum operating pressure (MPa)	Stroke volume	Discharge volume for one handle rotation (cm ³)	Handle rotating torque (maximum) (N, m)	Approximate weight (kg)
FHP-5	70	5	0.05	6	7.5
FHP-5P					13.0



Pole Jack

- A manual pump and a cylinder are integrated, which can be used in any direction.
- Can be used for various purposes by replacing attachments. Ideal for all types of shipyard work, assembly/repair, and rescue tools.
- WJ-50S includes a spherical washer. It should be used when an unbalanced load is applied.
- The times pushing levers at 100-mm piston stroke is about 15 times that under the no-load condition.

■Specification

Type	Maximum operating pressure (MPa)		Discharge volume (cm ³ /stroke)		Output (kN)	Stroke (mm)	Approximate weight (kg)
	High pressure	Low pressure	At high pressure	At low pressure			
WJ-50N	70	2	1	5	50	100	10.5
WJ-50S							12.5

