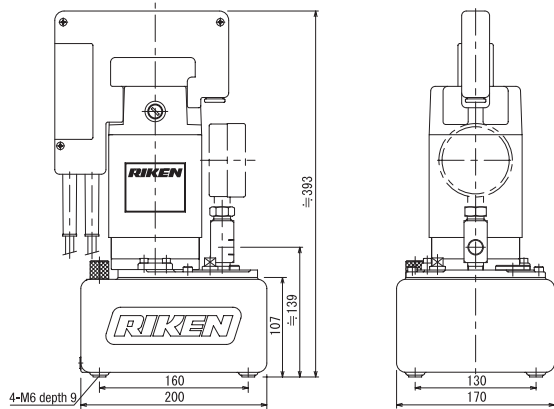


Small-Size Portable Electric Pump (two-stage type)

■ SMP-30 (40) ※※ NV series

- A single-acting cylinder is operated by the remote controlled operating switch (SW-4A).
- The pressure cannot be retained or stopped in the middle.
- The pump can be changed to AR/SK types by changing the operating valve, parts, etc.

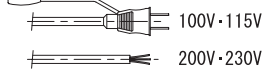
SMP-3012NV outline drawing



Remote controlled operating switch (SW-4A)



Shape of the tip of the power cable

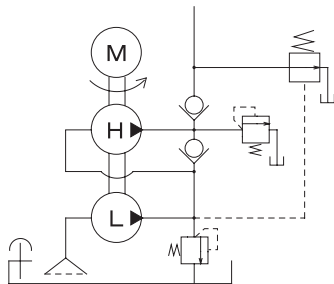


SMP-3012NV

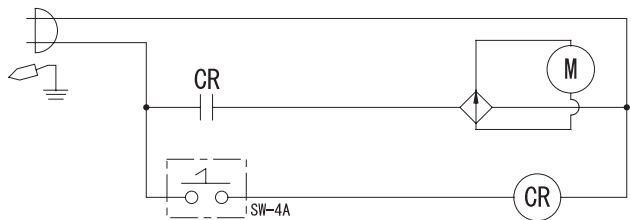


Low-noise type

SMP-30 (40) ※※ NV hydraulic circuit diagram



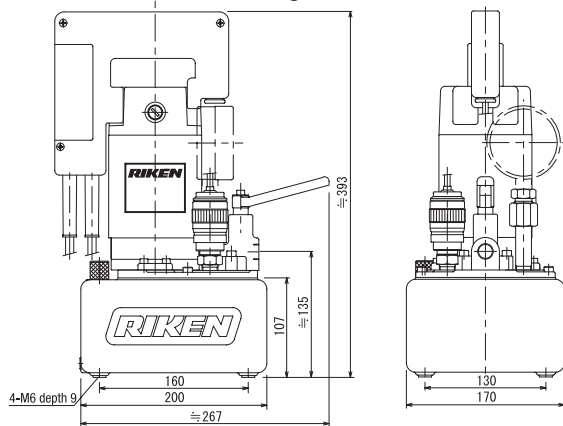
SMP-30 (40) ※※ NV electrical circuit diagram



■ SMP-30 (40) ※※ B series

- A single-acting cylinder is operated by the manual 3-way valve and the remote controlled operating switch (SW-4A) attached to the pump.
- The pump can stop automatically and retain the pressure at a preset pressure of the pressure switch, and returns automatically when the pressure drops by a few MPa from the preset pressure.
- The pump can be changed to BR/C/CR/DCB/SL/SW/SP/NE/RK types by changing the operating valve, parts, etc.

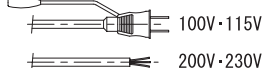
SMP-3012B outline drawing



Remote controlled operating switch (SW-4A)



Shape of the tip of the power cable

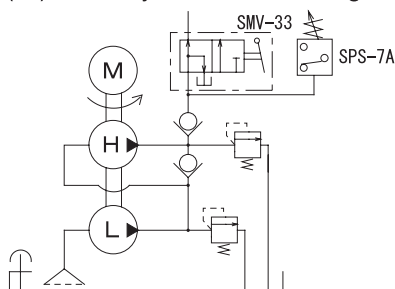


SMP-3012B



Low-noise type

SMP-30 (40) ※※ B hydraulic circuit diagram



SMP-30 (40) ※※ B electrical circuit diagram

