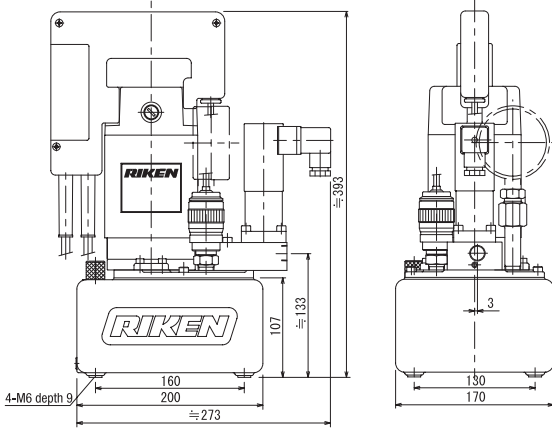


Small-Size Portable Electric Pump (two-stage type)

■SMP-30 (40) ※※ RK series

- A single-acting cylinder is operated by the remote controlled operating switch (SW-4WP).
- The pump operates while the "Push" button of the remote controlled operating switch is kept pressed, and the automatic stop, the pressure retaining, and the automatic return can be performed at a preset pressure of the pressure switch. The solenoid valve operates and the cylinder returns while the "Return" button is kept pressed.
- The pump can be changed to B/BR/C/CR/DCB/SL/SW/SP/NE types by changing the operating valve, parts, etc.

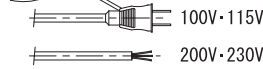
SMP-3012RK outline drawing



Remote controlled operating switch (SW-4WP)



Shape of the tip of the power cable

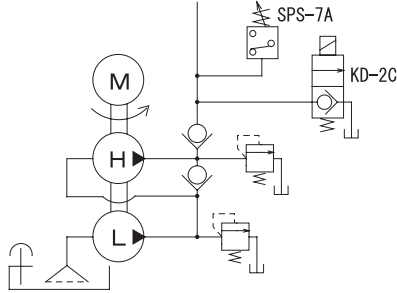


SMP-3012RK

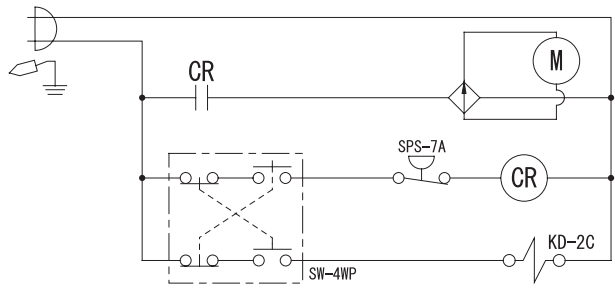


Low-noise type

SMP-30 (40) ※※ RK hydraulic circuit diagram



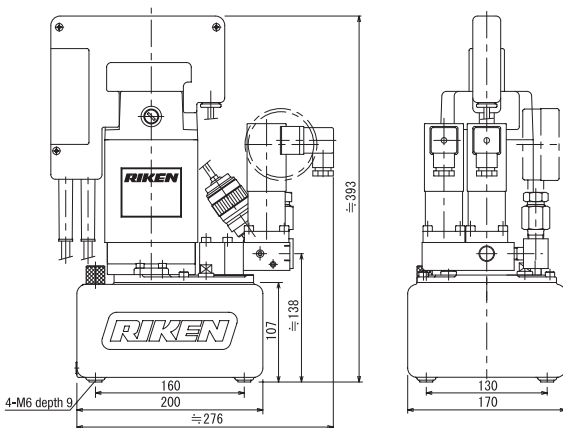
SMP-30 (40) ※※ RK electrical circuit diagram



■SMP-30 (40) ※※ NE series

- A single-acting cylinder is operated by the remote controlled operating switch (SW-4WP).
- The basic motion is the same as that of the RK series. The difference is that the cylinder stops immediately at the same time as the "Push" button of the remote controlled operating switch is released (non-inertia type).
- The pump can be changed to B/BR/C/CR/DCB/SL/SW/SP/RK types by changing the operating valve, parts, etc.

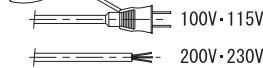
SMP-3012NE outline drawing



Remote controlled operating switch (SW-4WP)



Shape of the tip of the power cable

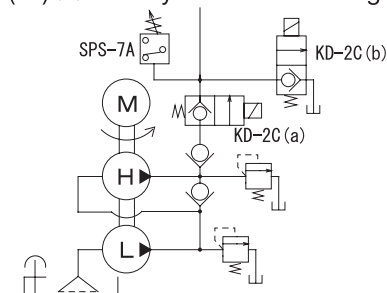


SMP-3012NE



Low-noise type

SMP-30 (40) ※※ NE hydraulic circuit diagram



SMP-30 (40) ※※ NE electrical circuit diagram

