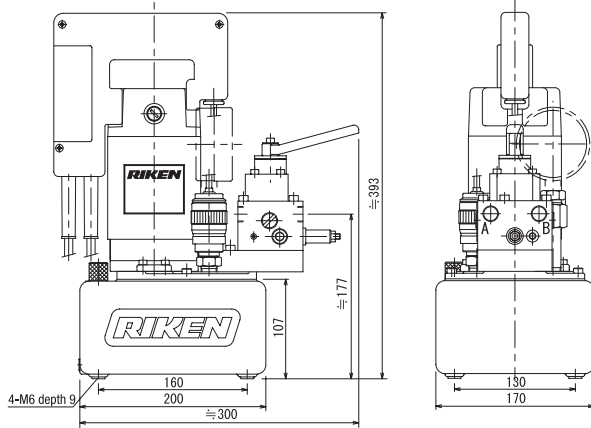


Small-Size Portable Electric Pump (two-stage type)

■ SMP-30 (40) ※※ DCB series

- A double-acting cylinder is operated by the manual 4-way three position valve (SCB-43B) and the remote controlled operating switch (SW-4A) attached to the pump.
- The manual 4-way three position valve incorporates a pilot check valve and an external pilot-operated counter balance valve, which prevent a rapid falling by own weight while the pump is jacking up a heavy load, etc. (The fall-preventing circuit is only provided at the B port.)
- The pump can be changed to B/BR/C/CR/SL/SW/SP/RK/NE types by changing the operating valve, parts, etc.

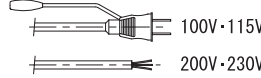
SMP-3012DCB outline drawing



Remote controlled operating switch (SW-4A)



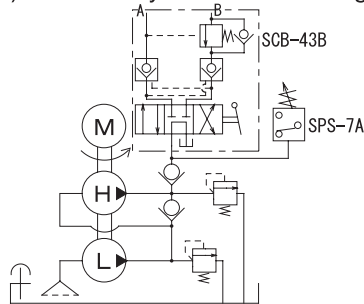
Shape of the tip of the power cable



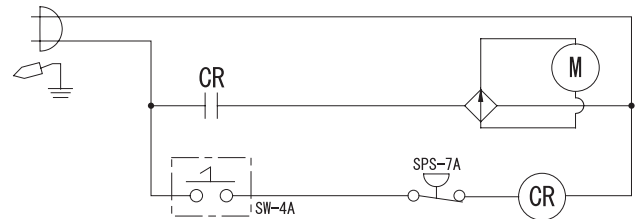
SMP-3012DCB



SMP-30 (40) ※※ DCB hydraulic circuit diagram



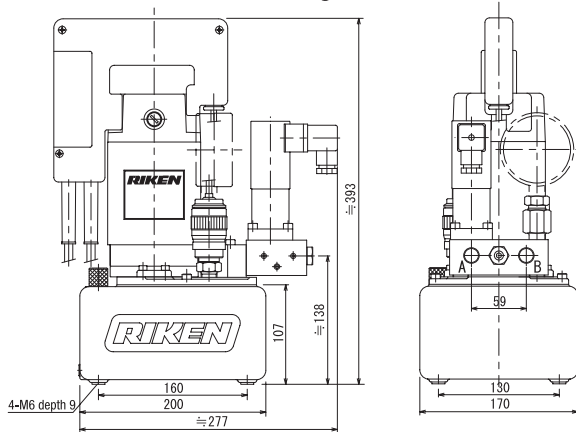
SMP-30 (40) ※※ DCB electrical circuit diagram



■ SMP-30 (40) ※※ SL series

- A double-acting cylinder, a torque wrench, and others are operated by the remote controlled operating switch (SW-4WP).
- The pump discharges oil from the B port while the "Push" button of the remote controlled switch is kept pressed, and stops automatically and retains the pressure at a preset pressure of the pressure switch. The oil is discharged from the A port while the "Return" button is kept pressed, but switched to the B port side at the same time as the button is released, and then the oil for the motor inertia is discharged to the B port side.

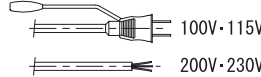
SMP-3012SL outline drawing



Remote controlled operating switch (SW-4WP)



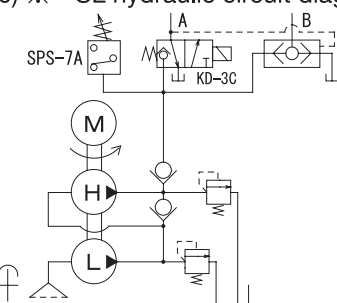
Shape of the tip of the power cable



SMP-3012SL



SMP-30 (40) ※※ SL hydraulic circuit diagram



SMP-30 (40) ※※ SL electrical circuit diagram

