

# Small-Size Portable Electric Pump (two-stage type)

Hydraulic Pumps

## ■ SMP-30 (40) ※※ SW series

- A double-acting cylinder is operated by the remote controlled operating switch (SW-4WP).
- Being responsive, the pump can stop the cylinder immediately. In addition, thanks to the check valve, the pressure can be retained over a long duration even when the button of the remote controlled operating switch is released. The functions of the pressure switch are the same as those of the SP series.
- The pump can be changed to B/BR/C/CR/DCB/SP/SL/RK/NE types by changing the operating valve, parts, etc.

**SMP-3012SW outline drawing**

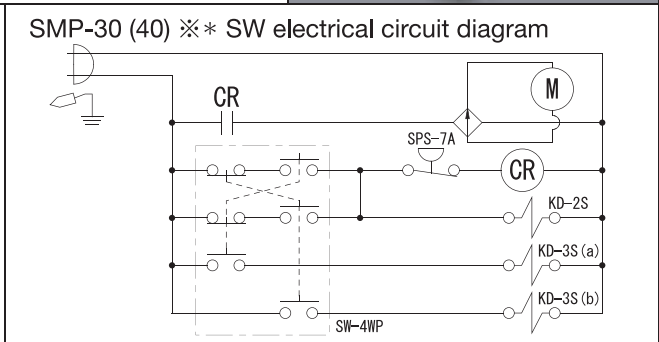
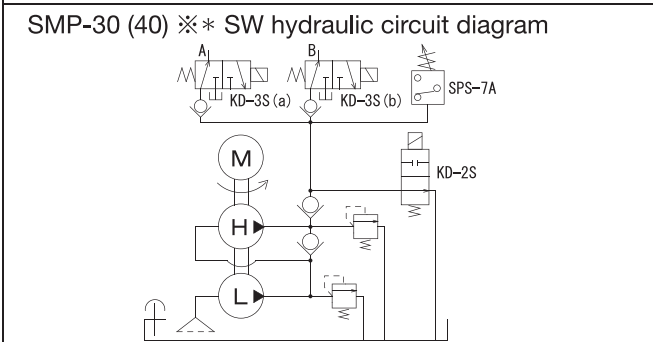
Remote controlled operating switch (SW-4WP)

Shape of the tip of the power cable

- 100V · 115V
- 200V · 230V

**SMP-3012SW**

Low-noise type



## ■ SMP-30 (40) ※※ SP series

- A double-acting cylinder is operated by the remote controlled operating switch (SW-4WP).
- Regardless of whether the "Push" or the "Return" button of the remote controlled operating switch is pressed, the oil is discharged from the A or B port while the button is kept pressed. In addition, the pump can stop automatically and retain the pressure at a preset pressure of the pressure switch, and the returns automatically when the pressure drops by a few MPa from the preset pressure.
- The pump can be changed to B/BR/C/CR/DCB/SL/SW/RK/NE types by changing the operating valve, parts, etc.

**SMP-3012SL outline drawing**

Remote controlled operating switch (SW-4WP)

Shape of the tip of the power cable

- 100V · 115V
- 200V · 230V

**SMP-3012SP**

Low-noise type

