

One-Stage Electric Pump (0.4 kW)

■MP-4 series

- A pump featuring a high-performance axial piston system which greatly reduces the change in discharge volume caused by pressure fluctuations.
- Equipped with a double-safety mechanism of a safety valve and pressure switch to prevent overload.
- The standard wire connection is 100 V, but AC 200 V can also be used by changing the wire connection and the attachment plug.
- We can also manufacture a 200 V three-phase motor pump.
- A two-way solenoid valve, push-button operating switch, pressure switch (PCS-700), pressure gauge, and others are set in MP-4D-PA. Simply connect the power and the pump is ready to use. (A one-point push-button switch is included. Please inform us if you need a foot switch.)
- See P. 73 and 74 for the description of each model and the instructions.

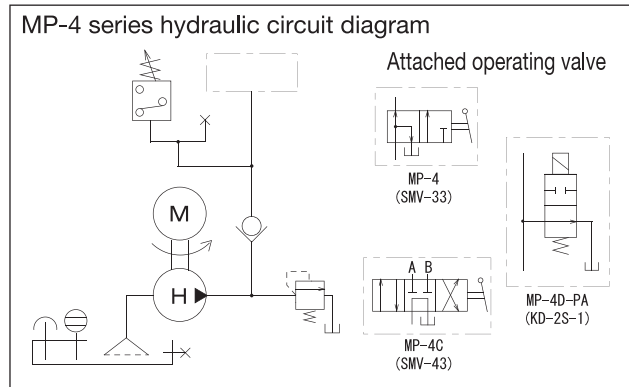
Description of the type

MP — 4

Series No

Electric pump

- No mark : For single-acting cylinder (manual change valve)
- C : For double-acting cylinder (manual change valve)
- D-PA : Special package pump for single-acting cylinder (solenoid operated directional valve)



■Motor specification

Insulation type	Voltage (number of phase) (V)	Output (kW)	Rated current (A)		Load current (A)		Number of revolutions (rpm)	
			50Hz	60Hz	50Hz	60Hz	50Hz	60Hz
Type E, capacitor start system	100/200 (single phase)	0.4	6.8	6.0	7.3	8.4	1500	1800

■Pump specification

Type	Maximum operating pressure (MPa)	Discharge volume (L/min)	Tank oil level (L)	Effective oil level (L)	Attached operating valve	Approximate weight (kg)
MP-4	70	0.4/0.48	4.5	3.5	SMV-33	40
MP-4C					SMV-43	41
MP-4D-PA					KD-2S-1	40

※The load current is a current value at 70 MPa.

※Both the rated and load currents show the values at 100 V. The figures at 200 V are about half of the values at 100 V.

MP - 4

Dimensions: 320 (width), 418 (height), P.C.D. 345 4-M10 depth 20

No.	Name	Remarks
1	Oil tank	
4	Motor	
6	Push button switch	
13	High-pressure safety valve	
18	Pressure switch	PCS-700
22	Direction-control valve	SMV-33
26	Air valve	
34	Oil-drain port	Rc3/8
35	Return inlet	Rc3/8
36	Outlet port	Rc3/8
37	Filler opening	Rc3/4

●The above numbers don't correspond to the part numbers of the product. See the operation manual for the part numbers of the product.