

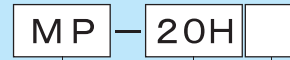
# One-Stage Electric Pump (15 kW)

Hydraulic Pumps

## ■ MP-20H series

- A pump featuring a high-performance axial piston system which greatly reduces the change in discharge volume caused by pressure fluctuations.
  - Equipped with a double-safety mechanism of a safety valve and pressure switch to prevent overload.
  - See P. 73 and 74 for the description of each model and the instructions.
- ▲ Power should not be supplied continuously to the solenoid valve of the MP-20HSW type for more than one minute to prevent adhesion of the spool.

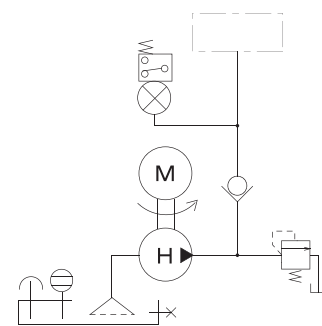
### Description of the type



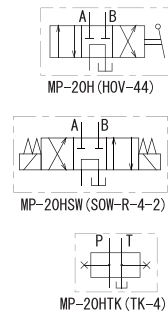
- No mark : For double-acting cylinder (manual change valve)
- SW : For double-acting cylinder (solenoid operated directional valve)
- TK : For separately installed operating valve (w/o operating valve)



### MP-20H series hydraulic circuit diagram



### Attached operating valve



## ■ Motor specification

Insulation type	Voltage (number of phase) (V)	Output (kW)	Rated current (A)		Load current (A)		Number of revolutions (rpm)	
			50Hz	60Hz	50Hz	60Hz	50Hz	60Hz
Type B, totally-enclosed fan-cooled type	200 (Three phase)	15	58.0	53.8	61.0	66.0	1500	1800

※The load current is a current value at 70 MPa.

## ■ Pump specification

Type	Maximum operating pressure (MPa)	Discharge volume (L/min) (50Hz/60Hz)	Tank oil level (L)	Effective oil level (L)	Attached operating valve	Approximate weight (kg)
MP-20H	70	10.0/12.0	155.0	70.0	HOV-44	540
MP-20HSW					SOW-R-4-2	
MP-20HTK					None	

**MP - 20 H**

Dimensions: 710 (x 500) x 1185 mm, 4-φ14, 750 x 896 mm, 800 mm (≈820 mm).

No.	Name	Remarks
1	Oil tank	
4	Motor	
5	Electromagnetic switch	
6	Push button switch	
13	High-pressure safety valve	RE-24C
18	Pressure switch	DPS-100
22	Direction-control valve	HOV-44
27	Air breather	Including a filler opening
29	Oil gauge	
34	Oil-drain port	Rc1 1/2
35	Return inlet	Rc3/4
36	Outlet port	Rc1/2

※The wiring of the direction-control valve isn't installed for the standard MP-20HSW type.

●The above numbers don't correspond to the part numbers of the product. See the operation manual for the part numbers of the product.