

Two-Stage Electric Pump (30 kW/55 kW)

Custom-order

Hydraulic Pumps

■ MP-40 series

- A pump combining a double-system MP-20 type, having a discharge volume around twice that of the M-20 type.
- When a solenoid valve is used for pressing work, etc., a bleeder circuit should be provided to reduce the shocks during switching.
- When the valve is changed after purchase, the base for mounting the valve unit must be replaced/converted.
- ⚠ Power should not be supplied continuously to the solenoid valve of the MP-40SW type for more than one minute to prevent adhesion of the spool.

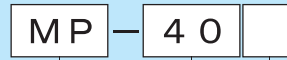
■ MP-75 series

- A high-pressure, high-capacity pump featuring a radial piston style and including the standard accessories.
- When a solenoid valve is used for pressing work, etc., a bleeder circuit should be provided to reduce the shocks during switching.
- Only the manual four-way valve (HOV-410) is the standard equipment for the MP-75 type.



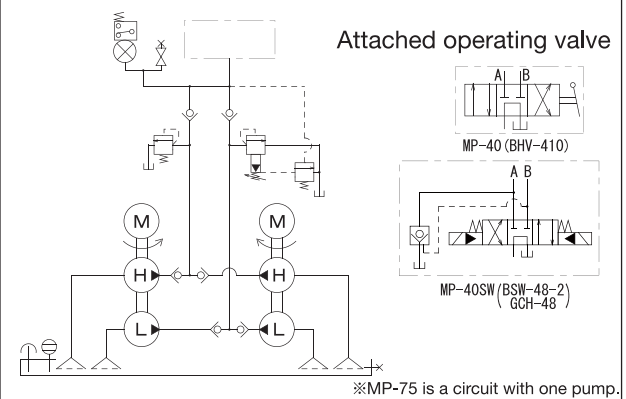
MP-75

Description of the type



No mark : For double-acting cylinder (manual change valve)
 SW : For double-acting cylinder (solenoid operated directional valve)
 Series No (40·75) ※The MP-40 type only
 Electric pump

MP-40 series hydraulic circuit diagram



■ Motor specification

type	Insulation type	Voltage (number of phase) (V)	Output (kW)	Rated current (A)		Load current (A)		Number of revolutions (rpm)	
				50Hz	60Hz	50Hz	60Hz	50Hz	60Hz
MP-40	Type B, totally-enclosed fan-cooled type	200 (Three phase)	30	116.0	107.6	122.0	132.0	1500	1800
MP-40SW									
MP-75			55	209	196	-	-		

※The load current is a current value at 70 MPa.

■ Pump specification

Type	Maximum operating pressure (MPa)		Discharge volume (L/min) (50Hz/60Hz)		Tank oil level (L)	Effective oil level (L)	Attached operating valve	Approximate weight (kg)
	High pressure	Low pressure	High pressure	Low pressure				
MP-40	70	6	20.0/24.0	140.0	750	370	BHV-410	2100
MP-40SW			19.0/23.0	/168.0			BSW-48-2 GCH-48	
MP-75		12	42.0	190.0			HOV-410	

MP-40

No.	Name	Remarks
1	Oil tank	
4	Motor	
5	Electromagnetic switch	
6	Push button switch	
12	High-pressure check valve	
13	High-pressure safety valve	RE-26C
14	Low-pressure safety valve	
15	Unloader valve	RUN-210D
18	Pressure switch	DPS-100
22	Direction-control valve	BHV-410
27	Air breather	Including a filler opening
29	Oil gauge	
34	Oil-drain port	Rc1 1/2
35	Return inlet	Rc1 1/2
36	Outlet port	Rc1 1/4

※The wiring of the direction-control valve isn't installed for the standard MP-40SW type.