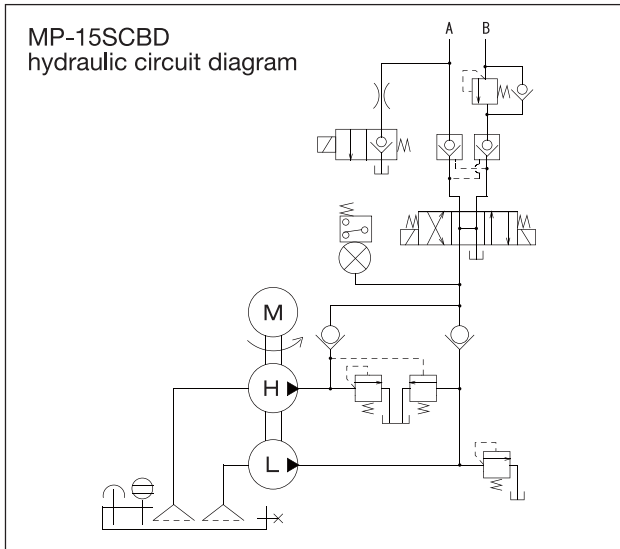


Pump with Large-Size Modular Valve

Custom-order

- A pump unit equipping the MP-15SW/17SW/20SW with a bleeder valve, etc. as standard options to maintain the pressure and reduce the shocks during switching of the valve for preventing falling under self-weight.
- See P. 82 and 86 of this catalogue for the details of each pump.
- ⚠ Power should not be supplied continuously for more than one minute to prevent the spool from sticking to the solenoid valve.



Description of the type

MP - 15 S CB D

- MP : Electric pump
- 15 : Series No (15·17·20)
- S : Direction-control valve (4-way three position solenoid valve)
- CB : Including a pilot controlled check valve and a counter balance valve
- D : Including a bleeder valve (2-way solenoid valve)

No mark: w/o bleeder valve



MP - 15 S C B D

No.	Name	Remarks
1	Oil tank	
4	Motor	
5	Electromagnetic switch	
6	Start switch	
13	High-pressure safety valve	
14	Low-pressure safety valve	
15	Unloader valve	
18	Pressure switch	DPS-100
22	Direction-control valve	SOW-R-4H-2
25	Pilot controlled check valve	BCH-44AB
27	Air breather	
29	Oil gauge	
34	Oil-drain port	Rc1
35	Return inlet	Rc3/4
36	Outlet port	Rc1/2
38	Counter balance valve	BCB-4B
39	Plate for depressure	BPD-4A
40	Direction-control valve	KD-2C-2

※ The above numbers don't correspond to the part numbers of the product. See the operation manual for the part numbers of the product.

※The wiring to the solenoid valve isn't installed.
 ※Please instruct us when you need an external pilot-operated counter balance valve.
 ※See P. 148 of this catalogue for the details of the large-size modular valves.