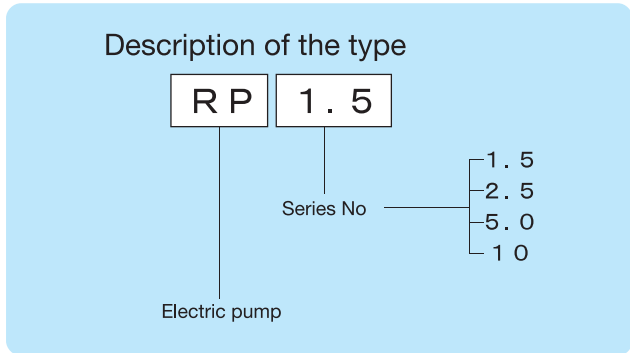


Special Pump

Hydraulic Pumps

Radial Pump (RP series)

- A radial piston type and ultrahigh-pressure one-stage pump.
- Can be operated continuously at an ultrahigh pressure of 70 MPa
- Noise lower than our conventional special pump by 10 dB.
- Greatly improved durability
- Highly efficient with the volume efficiency of 93 % to 98 % even at 70 MPa
- Can be rotated both clockwise/counterclockwise.
- We will also manufacture a unit assembly.



Specification

Type	Maximum operating pressure (MPa)	Discharge volume (L/min) (at 1430 rpm)	Theoretical displacement (cm ³)	Allowable number of revolutions (rpm)	No of pistons	Outlet port (Rc)	Suction opening (Rc)	Applied motor (kW)	Approximate weight (kg)
RP1.5	70	1.5	1.2	MAX1800	3	3/8	1/2	2.2	11.5
RP2.5		2.5	2.0		3			3.7	
RP5.0		5.0	4.0		5			7.5	
RP10		10.0	8.0		10		15.0	15.0	

