

Special pump

Production by order

Variable Discharge Pump

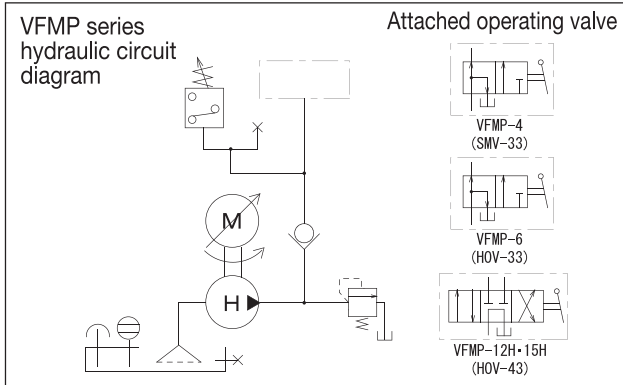
- Mounting an AC variable-speed drive control (inverter) with fast response and accuracy, this pump unit can change the number of revolutions and the discharge volume of the motor which drives the standard one-stage axial piston pump to meet the needs of various applications.

Description of the type

V F
M P
4

Variable speed (VF PACK) Electric pump Series No

4
6
1 2 H
1 5 H



Motor specification

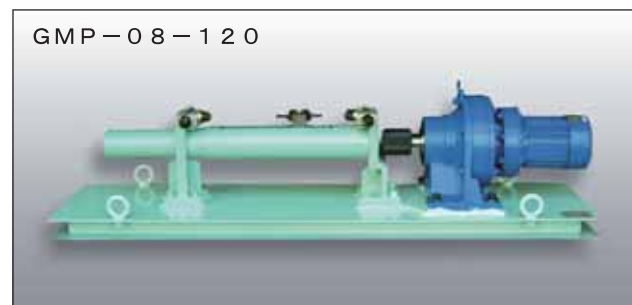
type	Pump specification				Motor specification				Inverter specification			Approximate weight (kg)
	Maximum operating pressure (MPa)	Discharge volume (L/min)	Tank oil level (L)	Effective oil level (L)	Type classified by insulation type	Voltage (number of phase) (V)	Output (kW)	Torque (N, m)	Capacity (kVA)	Electric current (A)	Speed range (Hz)	
VFMP-4	70	0.04~0.24	4.5	3.5	Type F	200/220 (Three phase)	0.4	2.15	1.0	3.0	6~60	59
VFMP-6		0.08~0.45	8.0	5.0			0.75	4.02	2.0	5.0		75
VFMP-12H		0.15~0.90	15.0	6.5			2.2	11.77	4.0	10.0		128
VFMP-15H		0.25~1.50	15.0	6.5			3.7	19.61	6.5	16.5		143

V F M P - 4

No.	Name	Remarks
1	Oil tank	
4	VF motor	0.4kW
13	High-pressure safety valve	
18	Pressure switch	PCS-700
22	Direction-control valve	SMV-33
26	Air valve	
34	Oil-drain port	Rc3/8
35	Return inlet	Rc3/8
36	Outlet port	Rc3/8
37	Filler opening	Rc3/4
38	Inverter	

Slight-Discharge Electric Pump

- Most common electric and manual pumps increase the discharge volume to improve the speed and enhance the work efficiency. On the contrary, this pump makes the discharge volume extremely small so that the pressure can be controlled very precisely and easily.
- Can be manufactured from the discharge volume of 1 cm³/min.
- Pumps for approach (manual/electric) are also available.



Specification

Type	Pump specification				Motor specification			Reducer specification		Approximate weight (kg)	
	Maximum operating pressure (MPa)	Discharge volume (cm ³ /min)	Tank oil level (cm ³)	Effective oil level (cm ³)	Type classified by insulation type	Voltage (number of phase) (V)	Output (kW)	Number of revolutions (rpm)	Speed reduction ratio		Allowable torque (kN, m)
GMP-08-120	70	8.0/9.6	150	120	Type E, open type	200/220 (Three phase)	0.2	1500/1800	1:1500	0.2	78
GMP-48-300		48/57	350	300					1:500		113