


Oil Cooler

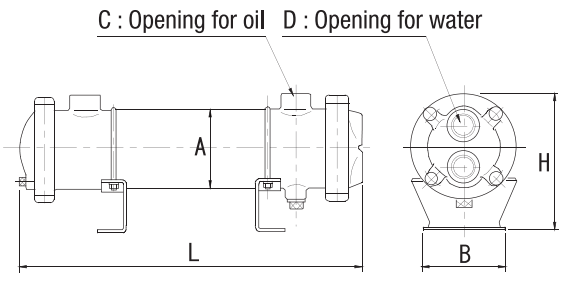
Water-Cooled Type

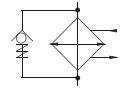
- An oil cooler needs to be used to keep the appropriate oil temperature when a relief valve provided outside the electric pump is operated continuously, or the pump is frequently used and the temperature of the hydraulic oil exceeds 60°C.
- RSL-303 to 415 type oil coolers incorporate a bypass circuit, but a another bypass circuit needs to be provided when the RSL-526 type is used.
- ※ The cooling effects differ depending on the temperature and amount of water.

R S L - 3 0 3

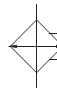


C : Opening for oil D : Opening for water





RSL-303 ~ 415



RSL-526

Specification


Type	Dimension						Compatible electric pump	Required water amount (L/min)	Weight (kg)
	ϕ A	B	C (Rc)	D (Rc)	H	L			
RSL-303	87.9	95	3/4	3/4	149	295	MP-10 or smaller	12	5.5
RSL-304						367	MP-12	13	6
RSL-305						439	MP-15	15	6.5
RSL-408	114.3	160	1-1/4	3/4	212	449	MP-17	18	13
RSL-415						737	MP-20	30	18
RSL-526	139.8	180	1-1/2	1	265	844	MP-40 or larger	50	31

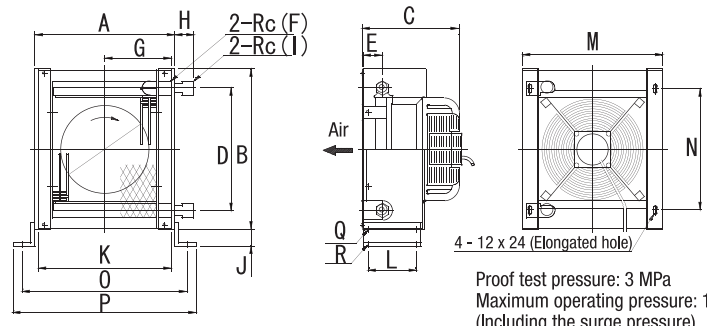
※The required water amount is a value calculated when the maximum load of each electric pump is all converted into energy.

Air-Cooled Type

- An economy-type cooler with a function-oriented simple design and can be installed in any direction.
- A another bypass circuit must be provided to use a cooler of this time.
- ※ The cooling effects differ depending on the ambient temperature.

A N - 3 5 5





2-Rc (F)
2-Rc (I)

4 - 12 x 24 (Elongated hole)

Proof test pressure: 3 MPa
Maximum operating pressure: 1 MPa
(Including the surge pressure)

Specification

Type	A	B	C	D	E	H	I	J	L	O	P	R	Compatible pump	Motor specification	Weight (kg)
AD-K100	197	233	121.5	182	29.5	41.5	1/2	40.5	60	230	250	2x2- ϕ 8	MP-4	Single phase AC100V	3.2
AD-K200														Single phase AC200V	
AD-KT200													MP-5 MP-6	Three phase AC200V	

Type	A	B	C	D	E	F	G	K	L	M	N	Q	Compatible pump	Motor specification	Weight (kg)
AN-305	383	455	294	360	63	3/4	179.5	350	130	350	400	2x2-12x24	MP-10 MP-12	Three phase AC200V	16.0
AN-355	430	510	319	410		1	203	400	150	400	450	Elongated hole			MP-15

Hydraulic Pumps