




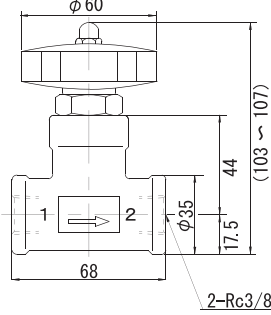
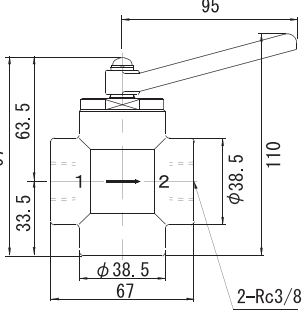
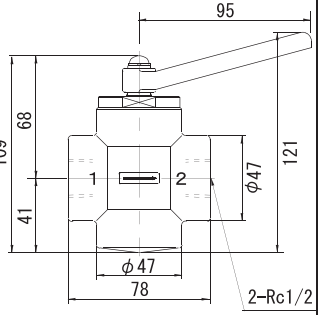
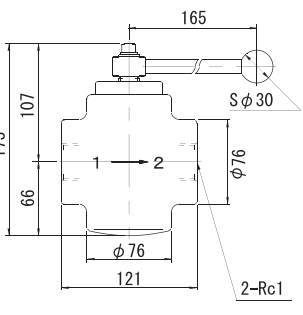


# Direction-Control Valve (manual/foot operations)

## 2-Way Valve (shutoff valve)

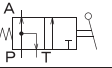
● A valve used to open/close a circuit. Balanced for a smooth handle operation in a pressurized state (excluding V-13C).



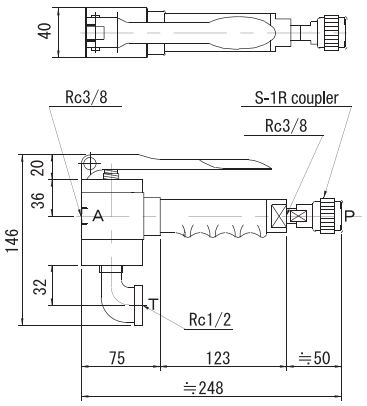
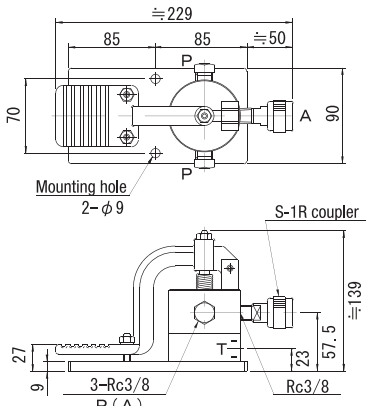
Type	Hydraulic designation	Maximum operating pressure (MPa)	Maximum flow (L/min)	Connection diameter (Rc)	Approximate weight (kg)
V-13C		70	10	3/8	0.9
V-13B			20		1.0
V-14			40	1/2	1.5
V-18			150	1	6.2

V-13C	V-13B	V-14	V-18
			
			

## 3-Way Valve

● The manual operation is HV type and the foot operation is FV type. Both types are used after mounted to a single-acting cylinder.  
 ● The valve should be connected directly to the tank so that no back pressure is applied to the T port.

Type	Hydraulic designation	Maximum operating pressure (MPa)	Maximum flow (L/min)	Connection diameter (Rc)	Approximate weight (kg)
HV-1		70	5	Discharge 3/8	2.1
FV-1				Return 1/2	
				3/8	4.6

HV-1	FV-1
	
	

Hydraulic Valves