

Direction-Control Valve (manual operation)

4-Way Three Position Valve (HOV/SMVT types)

- A rotary-type valve with extremely small leakage.
- All ports are open during the switching transition period.
- Pressure of up to 70 MPa can be applied at the tandem center type C (T) port. The DR port must always be connected to the tank.
- The SMVT type is small and mainly used for a double-acting manual pump.

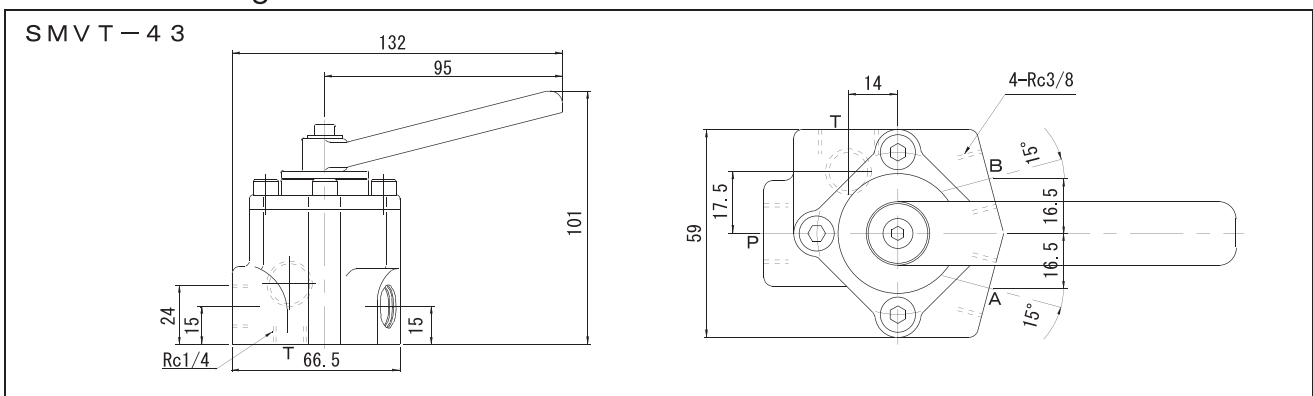


Specification

Type	Designation name	Hydraulic designation	Grip color	Maximum operating pressure (MPa)	Maximum flow (L/min)	Allowable back pressure (MPa)	Connection diameter (Rc)	Approximate weight (kg)
SMVT-43	Center bypass		-	70	3	1.5	3/8	1.1
HOV-43	Center bypass		Black		20		3/8	4.3
HOV-44					40		1/2	30.0
HOV-48					150		1	30.0
HOV-43H	All ports open		Blue		20		3/8	4.3
HOV-44H					40		1/2	30.0
HOV-48H					150		1	30.0
HOV-43P	P port blocked		Red		20		3/8	4.3
HOV-44P					40		1/2	30.0
HOV-48P					150		1	30.0
HOV-43C	All ports blocked		Yellow		20		3/8	4.3
HOV-44C					40		1/2	30.0
HOV-48C					150		1	30.0
HOV-43T	Tandem center		Black (red lever)		20		3/8	4.3
HOV-44T				40	1/2	5.5		

※The T port of HOV-44 and the DR port of HOV-44T are Rc3/8.

Outline drawing



※See P. 103 for the HOV series outline drawings.