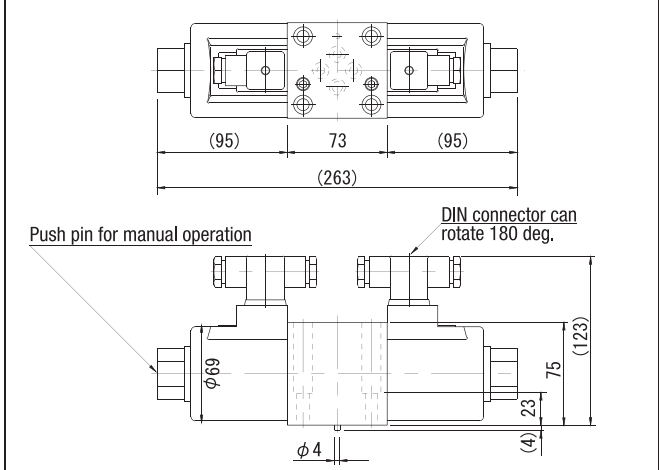
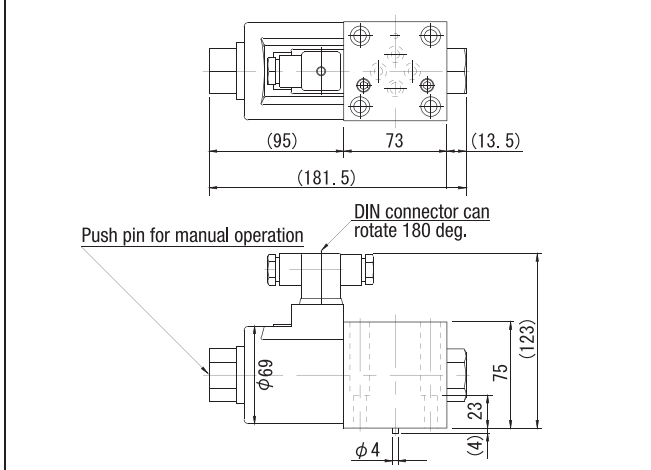
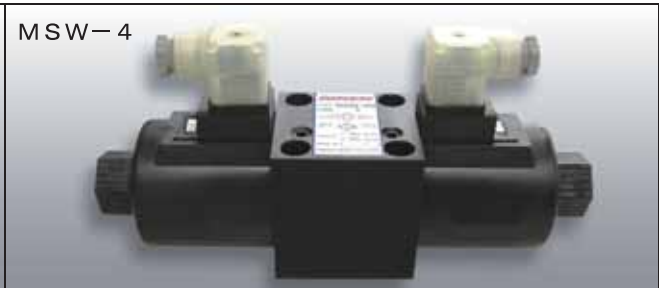
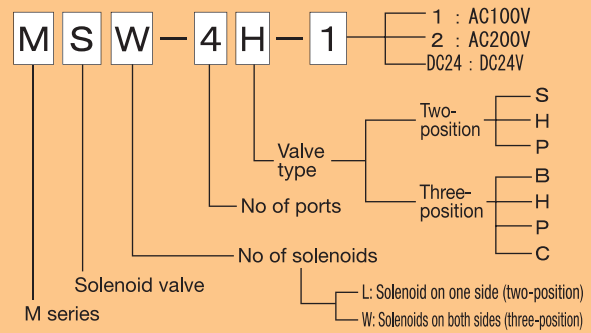


Direction-Control Valve (solenoid operation)

4-Way Solenoid Operated Directional Valve (spool type) M Series

- Should be used at 500 MPa or below if used frequently.
- Power should not be applied for more than one minute to prevent adhesion of the spool.
- The wire connection is for both 50/60 Hz.
- The DC 24V specification is available on request.

Description of the type



Hydraulic Valves

Specification

Type	Designation name	Hydraulic designation	Maximum flow (L/min)		Maximum operating pressure (MPa)	Allowable back pressure (MPa)	Voltage (AC)	Bolt insert length	Approximate weight (kg)
			0 – 8 MPa	Up to 70 MPa					
MSL-4S	Normal straight		15	3	70	1	100 V, 200 V, or DC 24 V	23	5.0
MSL-4H	Normally open								
MSL-4P	P port blocked								
MSW-4B	Center bypass		15	3	70	1	100 V, 200 V, or DC 24 V	23	7.0
MSW-4H	All ports open								
MSW-4P	P port blocked								
MSW-4C	All ports blocked								

※The switching should not exceed 20 times/min.
 ※See P. 202 for the solenoid specification.