

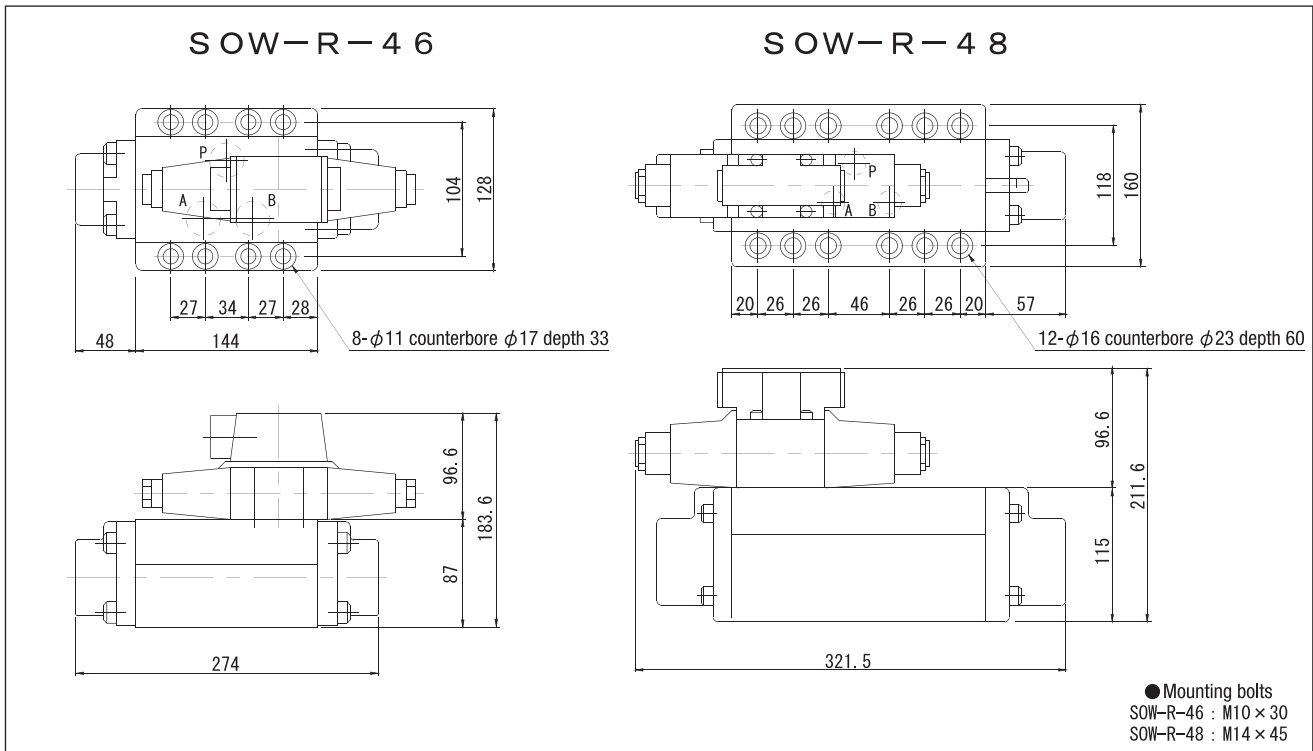
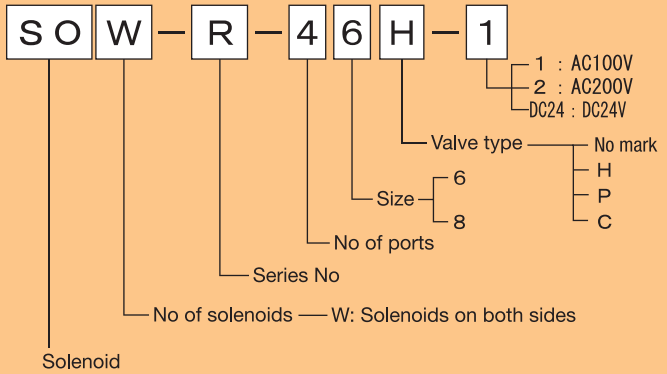
Direction-Control Valve (solenoid operation)

4-Way Solenoid Operated Directional Valve (spool type) R46/R48 Series

- Pilot operation – outside: pilot, inside: drain type
- Power should not be applied for more than one minute to prevent adhesion of the spool.
- The wire connection is for both 50/60 Hz.
- Connecting pipes (three for A/B/P respectively) are necessary between the solenoid valve and the sub-plate. Please purchase them when ordering the solenoid valve. (The connecting pipes are attached to a sub-plate when the solenoid valve is purchased with it.)
- The DC 24 V specification is available on request.



Description of the type



Specification

Type	Designation name	Hydraulic designation	Maximum flow (L/min)		Allowable back pressure (MPa)	Pilot allowable pressure (MPa)	Voltage (AC)	Approximate weight (kg)
			0 – 6 MPa	Up to 70 MPa				
SOW-R-46	Center bypass		50	16	1	1~7	100 V, 200 V, or DC 24 V	13.5
SOW-R-48			90	30				25.0
SOW-R-46H	All ports open		50	16				13.5
SOW-R-48H			90	30				25.0
SOW-R-46P	P port blocked		50	16				13.5
SOW-R-48P			90	30				25.0
SOW-R-46C	All ports blocked		50	16				13.5
SOW-R-48C			90	30				25.0

※The switching should not exceed 20 times/min.
 ※See P. 202 for the solenoid specification.