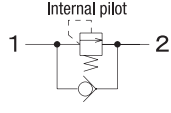
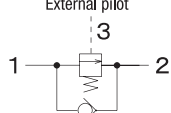





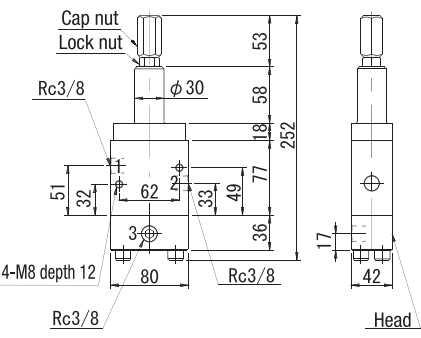
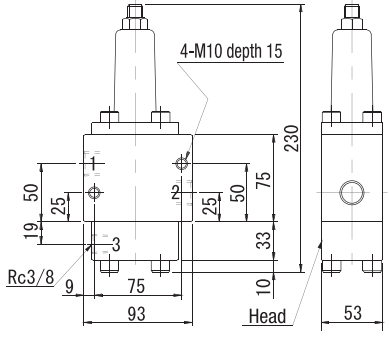
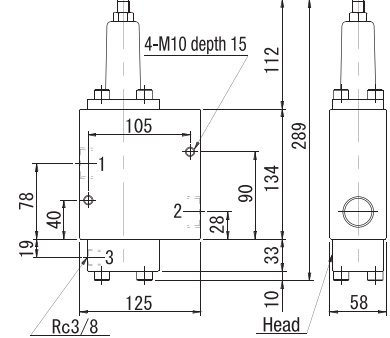
Pressure Control Valve

Counter Balance Valve

Specification

Type	Hydraulic designation	Maximum operating pressure (MPa)	Maximum flow (L/min)	Pressure control range (MPa)	Connection diameter (Rc)	Approximate weight (kg)
TCB-3-1	 Internal pilot 1 — 2	70	20	2~10	3/8	3.5
TCB-4-1			40		1/2	3.8
TCB-8-1			80		1	8.5
TCB-3-2	 External pilot 1 — 2 — 3		20	10~70	3/8	3.5
TCB-4-2			40		1/2	3.8
TCB-8-2			80		1	8.5

- Normally, the internal pilot is set but can be changed to the external pilot when the head is rotated 180 deg.
- Can also be used a sequence valve.

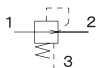
<p>TCB-3-1</p> 	<p>TCB-4-1</p> 	<p>TCB-8-1</p> 
		

※Port 3 of all models is Rc3/8.

Decompression Valve

- The Port 3 must be connected directly to the tank.

Specification

Type	Hydraulic designation	Maximum operating pressure (MPa)	Maximum flow (L/min)	Pressure control range (MPa)	Allowable back pressure (MPa)	Connection diameter (Rc)	Approximate weight (kg)
RD-700	 1 — 2 — 3	70	9	20~50	0.2	1/2	7.0

RD-700

