

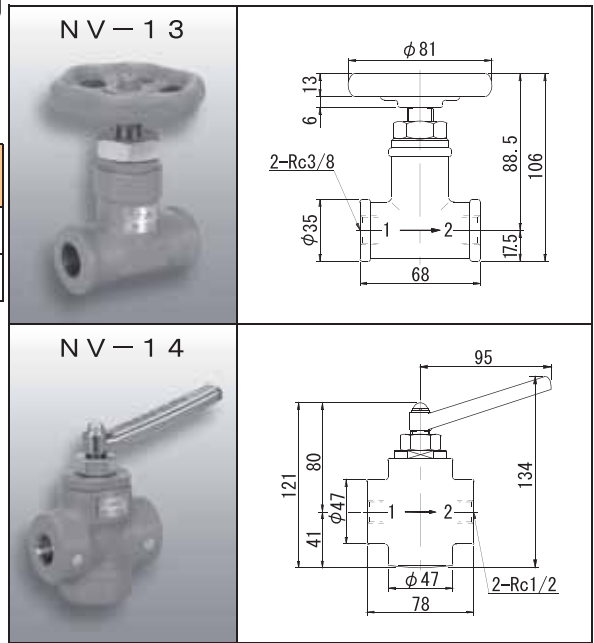
# Flow Control Valves

## Needle Valve

- The passage for hydraulic oil can be restricted for the adjustment using the needle.
- When the temperature or pressure changes, the flow rate changes, too.

## Specification

Type	Hydraulic designation	Maximum operating pressure (MPa)	Maximum flow (L/min)	Connection diameter (Rc)	Approximate weight (kg)
NV-13		70	10	3/8	0.9
NV-14			40	1/2	1.5

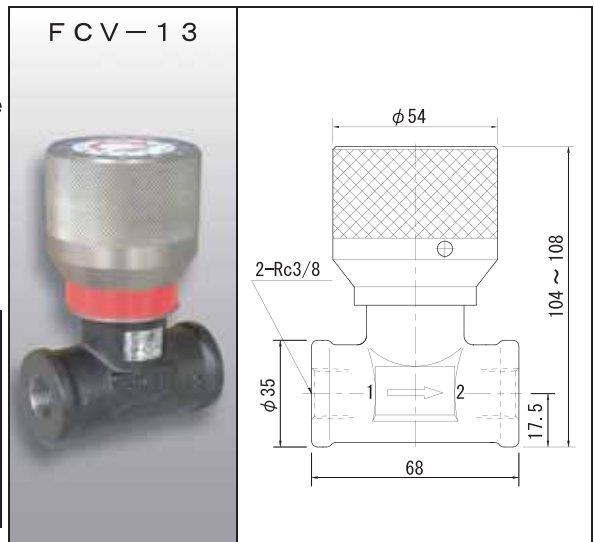


## Small-Size Flow Control Valve New Product

- A flow control valve with a bypass check valve.
- The flow can be finely adjusted using the needle system. The repeatability can be set by the dial.
- Can be used for circuit configurations such as meter-in, meter-out, and bleed-off.
- The dial control handle can be fixed using a setscrew.
- No pressure or temperature compensation.

## Specification

Type	Hydraulic designation	Maximum operating pressure (MPa)	Maximum flow (L/min)	Cracking pressure (MPa)	Connection diameter (Rc)	Approximate weight (kg)
FCV-13		70	10	0.05	3/8	1.0



## Flow Control Valve

- Includes a check valve and controls the pressure precisely by the pressure compensation mechanism.
- The preset flow rate does not change even when the differential pressure of IN/OUT changes.
- Can be used in meter-in, meter-out, and bleed-off circuits.
- No temperature compensation.

## Specification

Type	Hydraulic designation	Maximum operating pressure (MPa)	Pressure control range (MPa)	Control flow rate (L/min)	Precision	Connection diameter (Rc)	Approximate weight (kg)
FCV-35B		70	10~70	0.3~5	±10%	3/8	7.7

